

## Round inserts with counterbore, Form K

### Item description/product images



### Description

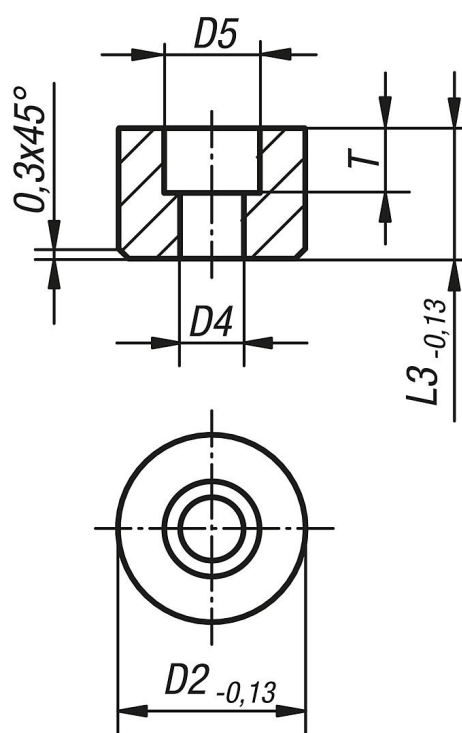
**Material, version:**  
Form K white POM

**Note:**

Grippers and Inserts are ideal for use in clamping arms, gripping systems, clamping fixtures, clamping jaws and self-aligning pads. Grippers transfer very high torque values and above average retaining forces even when applied to hard materials and surface irregularities.

### Drawings

Ⓚ



### Overview of items

Order No.	Form	D2	D4	D5	L3	T
K0385.110109	K	10	3,4	6	10	5
K0385.110129	K	10	3,4	6	12	5
K0385.112109	K	12	4,5	9	10	5,6
K0385.112129	K	12	4,5	9	12	5,6
K0385.116109	K	16	5,5	11	10	6,6
K0385.116129	K	16	5,5	11	12	6,6
K0385.120109	K	20	6,6	11	10	7,6
K0385.120129	K	20	6,6	11	12	7,6
K0385.125109	K	25	6,6	11	10	7,6
K0385.125129	K	25	6,6	11	12	7,6

## Round inserts with counterbore, Form K

Overview of items

---