

## Lateral spring plungers without seal

### Item description/product images



### Description

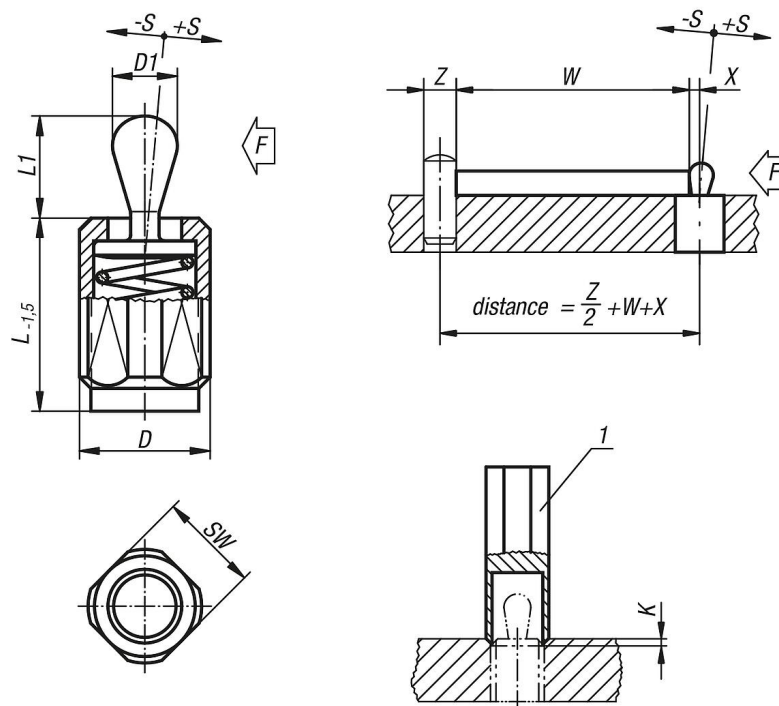
**Material:**  
Steel.

**Version:**  
Thrust pin steel, hardened and electro zinc-plated.  
Sleeve blue electro zinc-plated.

**Note:**  
Lateral spring plungers with threaded sleeve can be individually adjusted to suit the part being held. The threaded sleeve is also suitable for screwing into thin sheet metal as it can be fastened with one or two nuts. W and Z are customer specified.

**Drawing reference:**  
1) assembly tool

### Drawings



## Lateral spring plungers without seal

### Overview of items

| Order No.     | D       | D1 | K       | L    | L1   | ±S  | SW | X   | F<br>ca.N | Order No.<br>assembly<br>tool |
|---------------|---------|----|---------|------|------|-----|----|-----|-----------|-------------------------------|
| K0371.1020X12 | M12     | 5  | 2x60°   | 11,5 | 6,7  | 0,8 | 10 | 1,6 | 20        | K0371.06                      |
| K0371.1020X20 | M12     | 5  | 2x60°   | 19   | 6,7  | 0,8 | 10 | 1,6 | 20        | K0371.06                      |
| K0371.1020X27 | M12     | 5  | 2x60°   | 26,5 | 6,7  | 0,8 | 10 | 1,6 | 20        | K0371.06                      |
| K0371.1050X12 | M12     | 5  | 2x60°   | 11,5 | 6,7  | 0,8 | 10 | 1,6 | 50        | K0371.06                      |
| K0371.1050X20 | M12     | 5  | 2x60°   | 19   | 6,7  | 0,8 | 10 | 1,6 | 50        | K0371.06                      |
| K0371.1050X27 | M12     | 5  | 2x60°   | 26,5 | 6,7  | 0,8 | 10 | 1,6 | 50        | K0371.06                      |
| K0371.1100X12 | M12     | 5  | 2x60°   | 11,5 | 6,7  | 0,8 | 10 | 1,6 | 100       | K0371.06                      |
| K0371.1100X20 | M12     | 5  | 2x60°   | 19   | 6,7  | 0,8 | 10 | 1,6 | 100       | K0371.06                      |
| K0371.1100X27 | M12     | 5  | 2x60°   | 26,5 | 6,7  | 0,8 | 10 | 1,6 | 100       | K0371.06                      |
| K0371.1040X12 | M12     | 6  | 2x60°   | 11,5 | 10,7 | 1   | 10 | 1,8 | 40        | K0371.06                      |
| K0371.1040X20 | M12     | 6  | 2x60°   | 19   | 10,7 | 1   | 10 | 1,8 | 40        | K0371.06                      |
| K0371.1040X27 | M12     | 6  | 2x60°   | 26,5 | 10,7 | 1   | 10 | 1,8 | 40        | K0371.06                      |
| K0371.1075X12 | M12     | 6  | 2x60°   | 11,5 | 10,7 | 1   | 10 | 1,8 | 75        | K0371.06                      |
| K0371.1075X20 | M12     | 6  | 2x60°   | 19   | 10,7 | 1   | 10 | 1,8 | 75        | K0371.06                      |
| K0371.1075X27 | M12     | 6  | 2x60°   | 26,5 | 10,7 | 1   | 10 | 1,8 | 75        | K0371.06                      |
| K0371.1150X12 | M12     | 6  | 2x60°   | 11,5 | 10,7 | 1   | 10 | 1,8 | 100       | K0371.06                      |
| K0371.1150X20 | M12     | 6  | 2x60°   | 19   | 10,7 | 1   | 10 | 1,8 | 100       | K0371.06                      |
| K0371.1150X27 | M12     | 6  | 2x60°   | 26,5 | 10,7 | 1   | 10 | 1,8 | 100       | K0371.06                      |
| K0371.1100X16 | M18X1,5 | 10 | 2,5x60° | 18   | 16,7 | 1,6 | 16 | 3,2 | 100       | K0371.10                      |
| K0371.1100X29 | M18X1,5 | 10 | 2,5x60° | 31,5 | 16,7 | 1,6 | 16 | 3,2 | 100       | K0371.10                      |
| K0371.1100X43 | M18X1,5 | 10 | 2,5x60° | 45   | 16,7 | 1,6 | 16 | 3,2 | 100       | K0371.10                      |
| K0371.1200X16 | M18X1,5 | 10 | 2,5x60° | 18   | 16,7 | 1,6 | 16 | 3,2 | 150       | K0371.10                      |
| K0371.1200X29 | M18X1,5 | 10 | 2,5x60° | 31,5 | 16,7 | 1,6 | 16 | 3,2 | 150       | K0371.10                      |
| K0371.1200X43 | M18X1,5 | 10 | 2,5x60° | 45   | 16,7 | 1,6 | 16 | 3,2 | 150       | K0371.10                      |
| K0371.1300X16 | M18X1,5 | 10 | 2,5x60° | 18   | 16,7 | 1,6 | 16 | 3,2 | 200       | K0371.10                      |
| K0371.1300X29 | M18X1,5 | 10 | 2,5x60° | 31,5 | 16,7 | 1,6 | 16 | 3,2 | 200       | K0371.10                      |
| K0371.1300X43 | M18X1,5 | 10 | 2,5x60° | 45   | 16,7 | 1,6 | 16 | 3,2 | 200       | K0371.10                      |