

Lateral spring plungers without thrust pin, Form A without seal

Item description/product images



Description

Material:

Sleeve aluminium.
Receiving washer steel.
Spring steel.

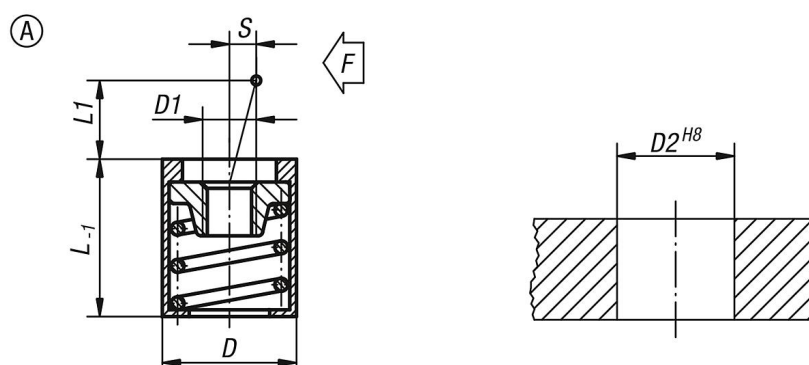
Version:

Sleeve blue electro zinc-plated.

Note:

The thrust pin can be made to suit the required circumstances and screwed into the tapped hole in the locating washer.
The required lateral thrust (F) can be achieved through the stroke (S) and length (L1).
Form B has a seal to keep swarf and dirt out.

Drawings



Overview of items

Lateral spring plungers without thrust pin, Form A, without seal

Order No.	Form	D	D1	D2	L	L1	S	F ca.N
K0370.31054	A	10	M4	10	12	4	1,6	20
K0370.31056	A	10	M4	10	12	4	1,6	50
K0370.31058	A	10	M4	10	12	4	1,6	100
K0370.31064	A	10	M4	10	12	7,5	2	40
K0370.31066	A	10	M4	10	12	7,5	2	75
K0370.31068	A	10	M4	10	12	7,5	2	100
K0370.31104	A	16	M6	16	18	11,5	3,2	100
K0370.31106	A	16	M6	16	18	11,5	3,2	150
K0370.31108	A	16	M6	16	18	11,5	3,2	200

