

Lateral spring plungers without seal, thrust pin and spring steel

Item description/product images



Description

Material:

Sleeve in aluminium; spring in steel; pressure pin in steel

Version:

Steel thrust pin hardened and electro zinc-plated.

Sleeve blue electro zinc-plated.

Note:

Lateral spring plungers are for positioning, clamping, holding and securing workpieces and parts for engraving, labelling, drilling, reaming, tapping, honing, grinding, welding, soldering, assembling, mounting etc.

Suitable eccentric adjustment bush see K0369.

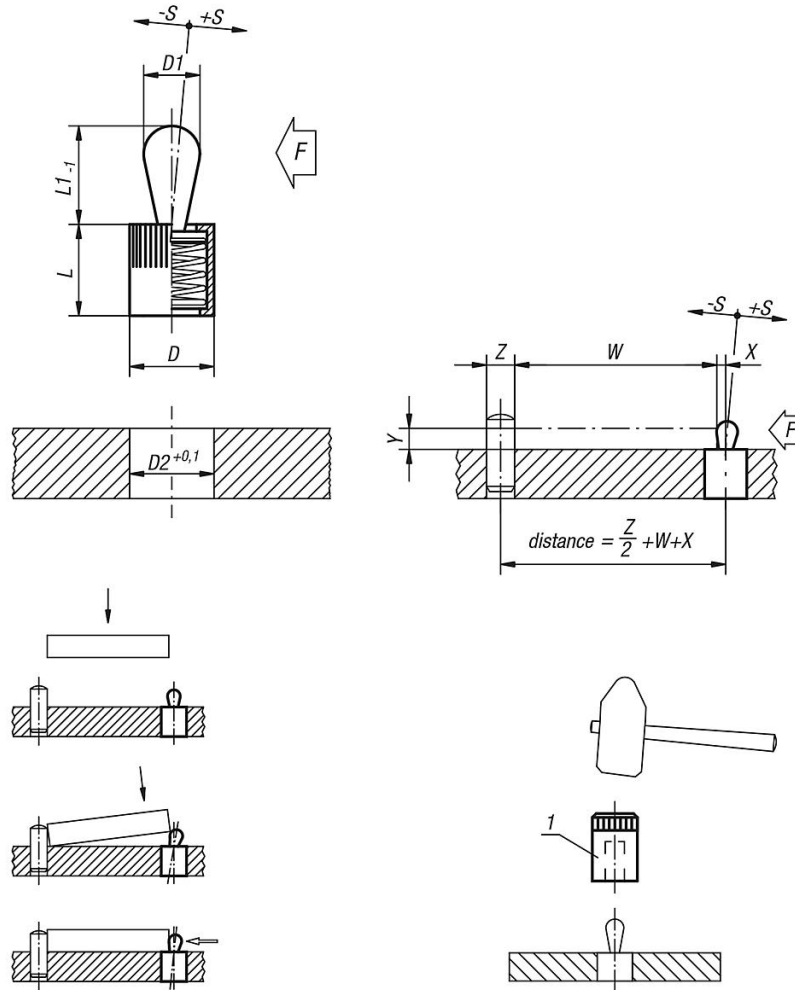
W and Z are customer specified.

Drawing reference:

1) assembly tool

Lateral spring plungers without seal, thrust pin and spring steel

Drawings



Overview of items

Lateral spring plungers without seal, thrust pin and spring steel

Order No.	D	D1	L	L1	D2	±S	F ca.N	X if Y = 1	X if Y = 2	X if Y = 3	X if Y = 4.5	X if Y = 6	X if Y = 8	Order No. assembly tool
K0368.21034	6	3	7	4	6	0,5	10	0,8	1	1	1	1	1	K0369.03
K0368.21036	6	3	7	4	6	0,5	20	0,8	1	1	1	1	1	K0369.03
K0368.21038	6	3	7	4	6	0,5	40	0,8	1	1	1	1	1	K0369.03
K0368.21054	10	5	11	6,7	10	0,8	20	-	1,5	1,7	1,7	1,7	1,7	K0369.05
K0368.21056	10	5	11	6,7	10	0,8	50	-	1,5	1,7	1,7	1,7	1,7	K0369.05
K0368.21058	10	5	11	6,7	10	0,8	100	-	1,5	1,7	1,7	1,7	1,7	K0369.05
K0368.21064	10	6	11	10,7	10	1	40	-	-	-	1,7	1,9	1,9	K0369.05
K0368.21066	10	6	11	10,7	10	1	75	-	-	-	1,7	1,9	1,9	K0369.05
K0368.21068	10	6	11	10,7	10	1	100	-	-	-	1,7	1,9	1,9	K0369.05
K0368.21084	12	8	13	13,9	12	1,3	50	-	-	-	-	2,5	2,7	K0369.08
K0368.21086	12	8	13	13,9	12	1,3	100	-	-	-	-	2,5	2,7	K0369.08
K0368.21088	12	8	13	13,9	12	1,3	150	-	-	-	-	2,5	2,7	K0369.08
K0368.21104	16	10	17	16,7	16	1,6	100	-	-	-	-	-	3,1	K0369.10
K0368.21106	16	10	17	16,7	16	1,6	150	-	-	-	-	-	3,1	K0369.10
K0368.21108	16	10	17	16,7	16	1,6	200	-	-	-	-	-	3,1	K0369.10

Lateral spring plungers without seal, thrust pin and spring steel

Overview of items
