

# Precision indexing plungers, steel with plastic spherical knob and tapered indexing pin

Item description/product images



## Description

**Material:**

Steel.  
Grip ball thermoplastic.

**Version:**

Hardened and ground.  
Grip ball black grey.

**Note:**

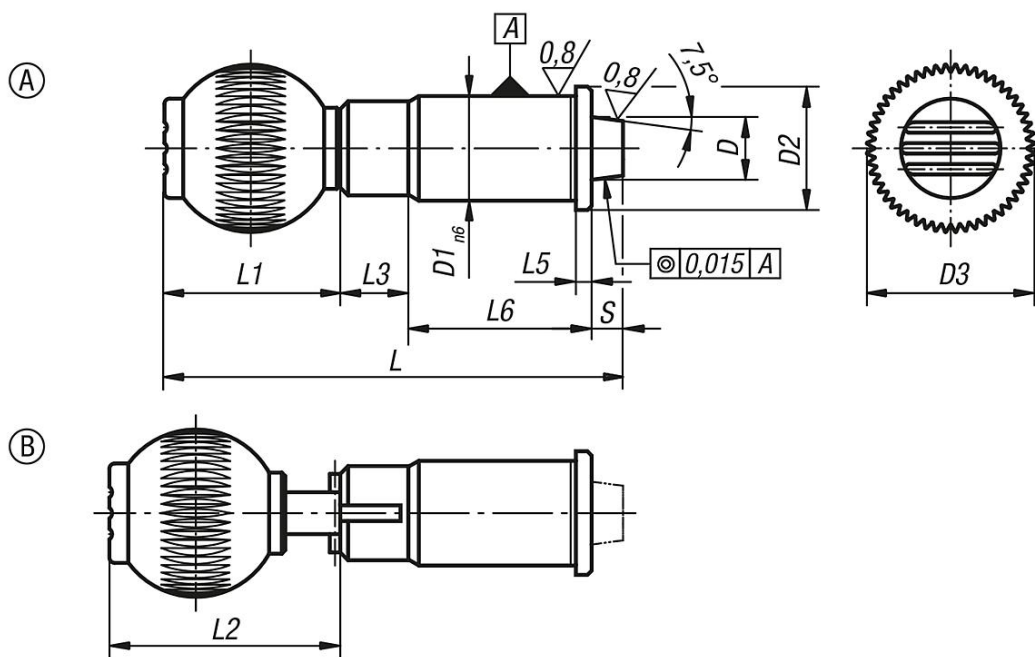
The indexing plungers with bushes are a perfect combination for rapid positioning and fixating. The precise design of both the indexing plunger and the bush guarantees high repeat accuracy when assembling two elements.

For technical information see assembly and installation instructions.

**Drawing reference:**

Form A: standard  
Form B: lockable

## Drawings



## Overview of items

### Precision indexing plungers with tapered pin

Order No.	Form	Version 2	D	D1	D2	D3	L	L1	L2	L3	L5	L6	Travel S	Spring force initial pressure F1 approx. N	Spring force final pressure F2 approx. N	female thread grip ball
K0359.010	A	standard	10	16	19	25	75	25	-	13	2,5	31	6	19	29	M6
K0359.012	A	standard	12	20	23	32	87	33	-	13	3	35	6	22	35	M8
K0359.016	A	standard	16	25	28	40	102,5	41,5	-	13	3	42	6	30	50	M10

## Precision indexing plungers, steel with plastic spherical knob and tapered indexing pin

### Overview of items

Order No.	Form	Version 2	D	D1	D2	D3	L	L1	L2	L3	L5	L6	Travel S	Spring force initial pressure F1 approx. N	Spring force final pressure F2 approx. N	female thread grip ball
<b>K0359.020</b>	A	standard	20	30	33	40	110,5	41,5	-	13	3	50	6	46	63	M10
<b>K0359.025</b>	A	standard	25	38	42	50	130	51	-	13	3	60	6	39	73	M10
<b>K0359.110</b>	B	lockable	10	16	19	25	75	25	30,5	13	2,5	31	6	19	29	M6
<b>K0359.112</b>	B	lockable	12	20	23	32	87	33	40,5	13	3	35	6	22	35	M8
<b>K0359.116</b>	B	lockable	16	25	28	40	102,5	41,5	49	13	3	42	6	30	50	M10
<b>K0359.120</b>	B	lockable	20	30	33	40	110,5	41,5	49	13	3	50	6	46	63	M10
<b>K0359.125</b>	B	lockable	25	38	42	50	130	51	58,5	13	3	60	6	39	73	M10