

Positioning pins free-milled, ground

Item description/product images

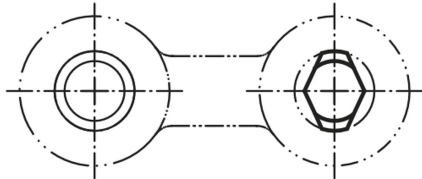


Description

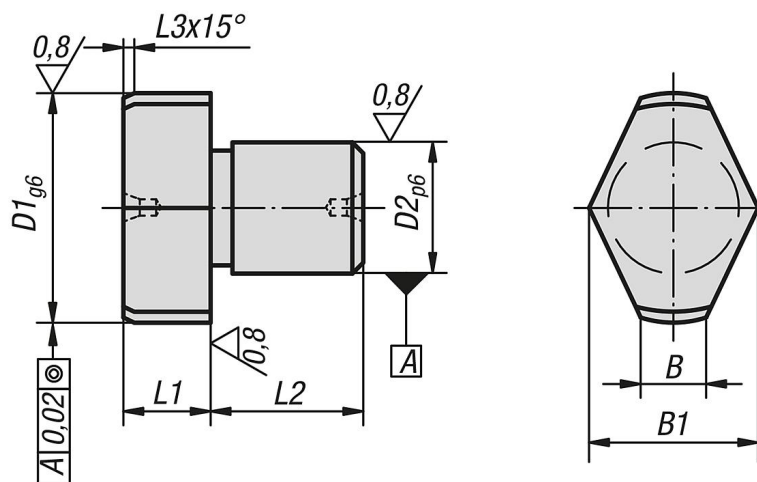
Material:
Tool steel.

Version:
Hardened and ground.

Note:
Top face with centrebore.



Drawings



Overview of items

Positioning pins, free-milled, ground

Order No.	D1	D2	L1	L2	L3	B	B1
K0354.05	8	5	8	8	2	2	6,6
K0354.07	10	7	8	8	2	3	8,6
K0354.08	12	8	8	10	2	3	9,8
K0354.081	14	8	8	10	3	3,5	11,2
K0354.09	16	9	8	12	3	4	13,2
K0354.12	18	12	8	12	3	4,5	14,7
K0354.121	20	12	8	14	3	5	16,6
K0354.14	22	14	8	14	3	5,6	18
K0354.16	25	16	8	16	3	6	19,8

