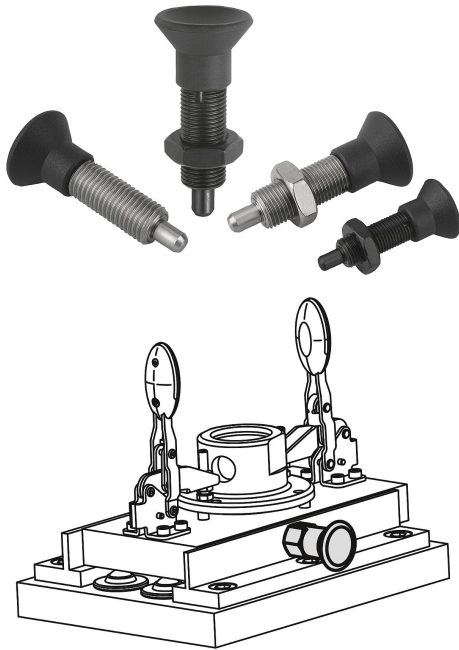


Indexing plungers, steel or stainless steel, without collar, with plastic mushroom grip, extended indexing pin and locknut

Item description/product images



Description

Material:

Steel version

Indexing pin hardened:
grade 5.8.

Stainless steel version

Indexing pin hardened:
Threaded sleeve 1.4305.
Indexing pin 1.4034.

Indexing pin not hardened:
Threaded sleeve 1.4305.
Indexing pin 1.4305.

Mushroom knob black-grey thermoplastic.

Version:

Steel version:

Indexing pin hardened, ground, black oxidised.

Stainless steel version:

Indexing pin hardened, ground and bright.

Indexing pin not hardened, ground and bright.

Note:

Indexing plungers are used to prevent any change in locking position due to lateral forces. A new locking position can only be set after the pin has been manually disengaged.

A washer is available to aid by screwing in the indexing plungers. The washer slides beneath the mushroom knob so that the carrier pins engage in the slot.

On request:

Special versions.

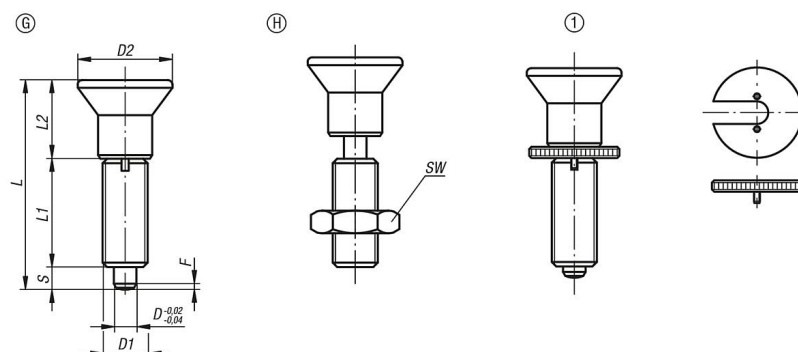
Drawing reference:

Form G: without locknut

Form H: with locknut

1) Indexing plunger with screw-in washer

Drawings



Indexing plungers, steel or stainless steel, without collar, with plastic mushroom grip, extended indexing pin and locknut

Overview of items

Indexing plungers without collar with extended indexing pin

Order No.	Form	Main material	Surface finish body	D	D1	D2	L	L1	L2	Travel S	SW	Fx30°	Spring force initial pressure F1 approx. N	Spring force final pressure F2 approx. N	Order No. screw-in washer
K0633.21903	G	steel	hardened	3	M6x0,75	14	33	17	11	5	-	0,8	4,5	12	K0344.99
K0633.21004	G	steel	hardened	4	M8x1	18	40,5	21	13,5	6	-	1	6	15	K0344.90
K0633.21105	G	steel	hardened	5	M10x1	21	46,5	24	14,5	8	-	1,3	5	16	K0344.91
K0633.21206	G	steel	hardened	6	M12x1,5	25	54,7	28	17,7	9	-	1,8	6	18	K0344.92
K0633.21308	G	steel	hardened	8	M16x1,5	33	72	36	24	12	-	2,3	15	45	K0344.93
K0633.21410	G	steel	hardened	10	M20x1,5	33	79	40	24	15	-	2,8	15	43	K0344.94
K0633.21412	G	steel	hardened	12	M20x1,5	33	84	42	24	18	-	2,8	15	51	K0344.94
K0633.21516	G	steel	hardened	16	M24x2	40	104	50	30	24	-	3,2	20	60	K0344.95
K0633.201903	G	stainless steel	hardened	3	M6x0,75	14	33	17	11	5	-	0,8	4,5	12	K0344.99
K0633.201004	G	stainless steel	hardened	4	M8x1	18	40,5	21	13,5	6	-	1	6	15	K0344.90
K0633.201105	G	stainless steel	hardened	5	M10x1	21	46,5	24	14,5	8	-	1,3	5	16	K0344.91
K0633.201206	G	stainless steel	hardened	6	M12x1,5	25	54,7	28	17,7	9	-	1,8	6	18	K0344.92
K0633.201308	G	stainless steel	hardened	8	M16x1,5	33	72	36	24	12	-	2,3	15	45	K0344.93
K0633.201410	G	stainless steel	hardened	10	M20x1,5	33	79	40	24	15	-	2,8	15	43	K0344.94
K0633.201412	G	stainless steel	hardened	12	M20x1,5	33	84	42	24	18	-	2,8	15	51	K0344.94
K0633.201516	G	stainless steel	hardened	16	M24x2	40	104	50	30	24	-	3,2	20	60	K0344.95
K0633.211903	G	stainless steel	not hardened	3	M6x0,75	14	33	17	11	5	-	0,8	4,5	12	K0344.99
K0633.211004	G	stainless steel	not hardened	4	M8x1	18	40,5	21	13,5	6	-	1	6	15	K0344.90
K0633.211105	G	stainless steel	not hardened	5	M10x1	21	46,5	24	14,5	8	-	1,3	5	16	K0344.91
K0633.211206	G	stainless steel	not hardened	6	M12x1,5	25	54,7	28	17,7	9	-	1,8	6	18	K0344.92
K0633.211308	G	stainless steel	not hardened	8	M16x1,5	33	72	36	24	12	-	2,3	15	45	K0344.93
K0633.211410	G	stainless steel	not hardened	10	M20x1,5	33	79	40	24	15	-	2,8	15	43	K0344.94
K0633.211412	G	stainless steel	not hardened	12	M20x1,5	33	84	42	24	18	-	2,8	15	51	K0344.94
K0633.211516	G	stainless steel	not hardened	16	M24x2	40	104	50	30	24	-	3,2	20	60	K0344.95
K0633.22903	H	steel	hardened	3	M6x0,75	14	33	17	11	5	10	0,8	4,5	12	K0344.99
K0633.22004	H	steel	hardened	4	M8x1	18	40,5	21	13,5	6	13	1	6	15	K0344.90
K0633.22105	H	steel	hardened	5	M10x1	21	46,5	24	14,5	8	17	1,3	5	16	K0344.91
K0633.22206	H	steel	hardened	6	M12x1,5	25	54,7	28	17,7	9	19	1,8	6	18	K0344.92
K0633.22308	H	steel	hardened	8	M16x1,5	33	72	36	24	12	24	2,3	15	45	K0344.93
K0633.22410	H	steel	hardened	10	M20x1,5	33	79	40	24	15	30	2,8	15	43	K0344.94
K0633.22412	H	steel	hardened	12	M20x1,5	33	84	42	24	18	30	2,8	15	51	K0344.94
K0633.22516	H	steel	hardened	16	M24x2	40	104	50	30	24	36	3,2	20	60	K0344.95
K0633.202903	H	stainless steel	hardened	3	M6x0,75	14	33	17	11	5	10	0,8	4,5	12	K0344.99
K0633.202004	H	stainless steel	hardened	4	M8x1	18	40,5	21	13,5	6	13	1	6	15	K0344.90
K0633.202105	H	stainless steel	hardened	5	M10x1	21	46,5	24	14,5	8	17	1,3	5	16	K0344.91
K0633.202206	H	stainless steel	hardened	6	M12x1,5	25	54,7	28	17,7	9	19	1,8	6	18	K0344.92
K0633.202308	H	stainless steel	hardened	8	M16x1,5	33	72	36	24	12	24	2,3	15	45	K0344.93
K0633.202410	H	stainless steel	hardened	10	M20x1,5	33	79	40	24	15	30	2,8	15	43	K0344.94
K0633.202412	H	stainless steel	hardened	12	M20x1,5	33	84	42	24	18	30	2,8	15	51	K0344.94
K0633.202516	H	stainless steel	hardened	16	M24x2	40	104	50	30	24	36	3,2	20	60	K0344.95
K0633.212903	H	stainless steel	not hardened	3	M6x0,75	14	33	17	11	5	10	0,8	4,5	12	K0344.99
K0633.212004	H	stainless steel	not hardened	4	M8x1	18	40,5	21	13,5	6	13	1	6	15	K0344.90
K0633.212105	H	stainless steel	not hardened	5	M10x1	21	46,5	24	14,5	8	17	1,3	5	16	K0344.91
K0633.212206	H	stainless steel	not hardened	6	M12x1,5	25	54,7	28	17,7	9	19	1,8	6	18	K0344.92
K0633.212308	H	stainless steel	not hardened	8	M16x1,5	33	72	36	24	12	24	2,3	15	45	K0344.93
K0633.212410	H	stainless steel	not hardened	10	M20x1,5	33	79	40	24	15	30	2,8	15	43	K0344.94
K0633.212412	H	stainless steel	not hardened	12	M20x1,5	33	84	42	24	18	30	2,8	15	51	K0344.94
K0633.212516	H	stainless steel	not hardened	16	M24x2	40	104	50	30	24	36	3,2	20	60	K0344.95