

# Swivel thrust pads

## Item description/product images



### Description

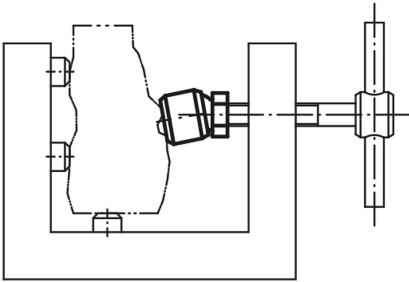
#### Material:

Ball element case-hardened steel.

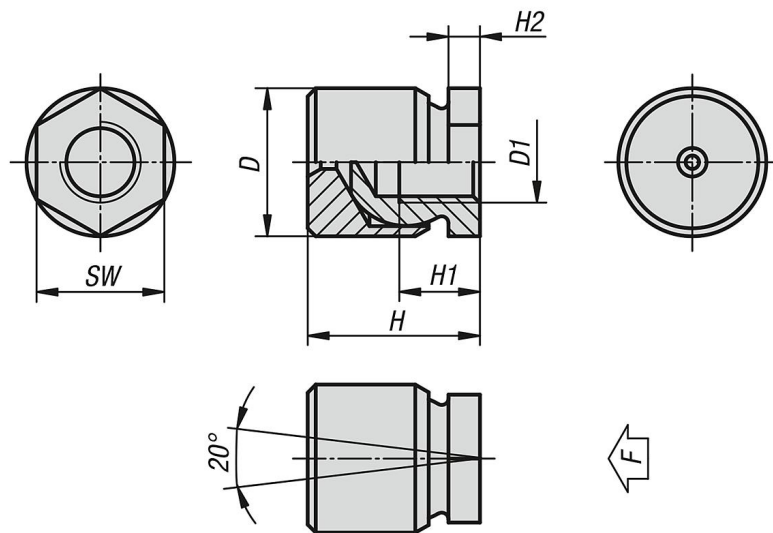
Thrust pad ETG 100 steel.

#### Version:

Black oxidised.



## Drawings



## Overview of items

### Swivel feet

Order No.	D	D1	H	H1	H2	SW	Load rating max. kN
K0304.05	13	M5	16,5	6,5	4	10	1,62
K0304.06	13	M6	16,5	8,5	4	10	2,33
K0304.08	16	M8	21	9	4	13	4,15
K0304.10	19	M10	23	10	4	17	6,48
K0304.12	22	M12	25,5	12	4,7	19	8,32
K0304.16	25	M16	29,5	14	5	24	13,94
K0304.20	32	M20	36	18	8,5	30	21

