

Rest pads, Form A

Item description/product images



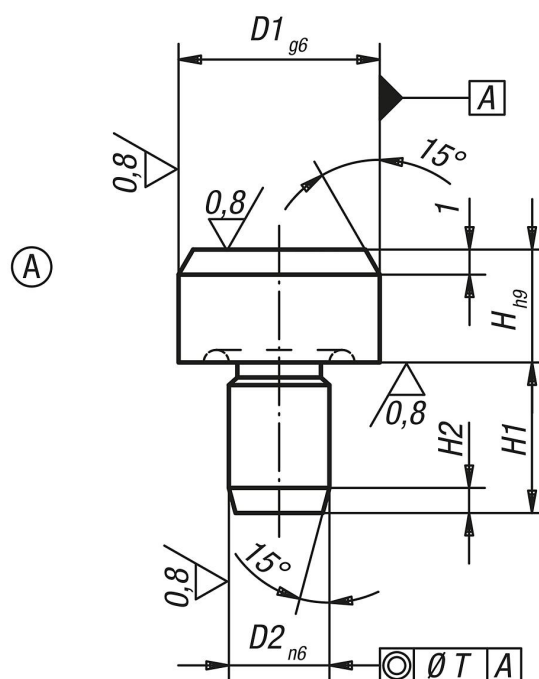
Description

Material:
Tool steel.

Version:
Hardened and ground.
Top face without centerbore.

Note:
Rest pads, Form A, serve as supports for workpieces and fixtures. Rest pads Form A can also be used as hardened stops and fixture feet.
For similar pads, see K0352, K0353, K0354 and K0355.

Drawings



Overview of items

Order No.	Form	Version 1	D1	D2	H	H1	H2	T
K0293.106	A	without centre bore	6	4	5	6	1,2	0,02
K0293.110	A	without centre bore	10	6	6	9	1,6	0,02
K0293.116	A	without centre bore	16	8	8	12	2	0,04
K0293.125	A	without centre bore	25	12	10	18	2,5	0,04

