

Self-aligning pads adjustable, with O-ring and exchangeable inserts

Item description/product images



Description

Material:

Body carbon steel.

Ball rust and acid resistant steel.

Inserts:

Form C, F, M tool steel

Form K POM

Form E stainless steel.

Form O stainless steel diamond impregnated.

Form P stainless steel with polyurethane surface.

Version:

Body tempered, black oxidised.

Ball hardened, bright.

Inserts:

Form C, F hardened, black oxidised.

Form M with carbide serrations, black oxidised.

Form K white.

Form E hardened, bright.

Form O diamond impregnated surface comparable to 100 grade abrasive grit.

Form P polyurethane surface, hardness 60 Shore.

Note:

Self-aligning pads are used to support and clamp unmachined and machined workpieces.

They also serve as stops, supports and thrust pads in fixtures and toolmaking.

The ball can be removed from the housing by applying light pressure to the socket head screw.

Ball secured against rotation.

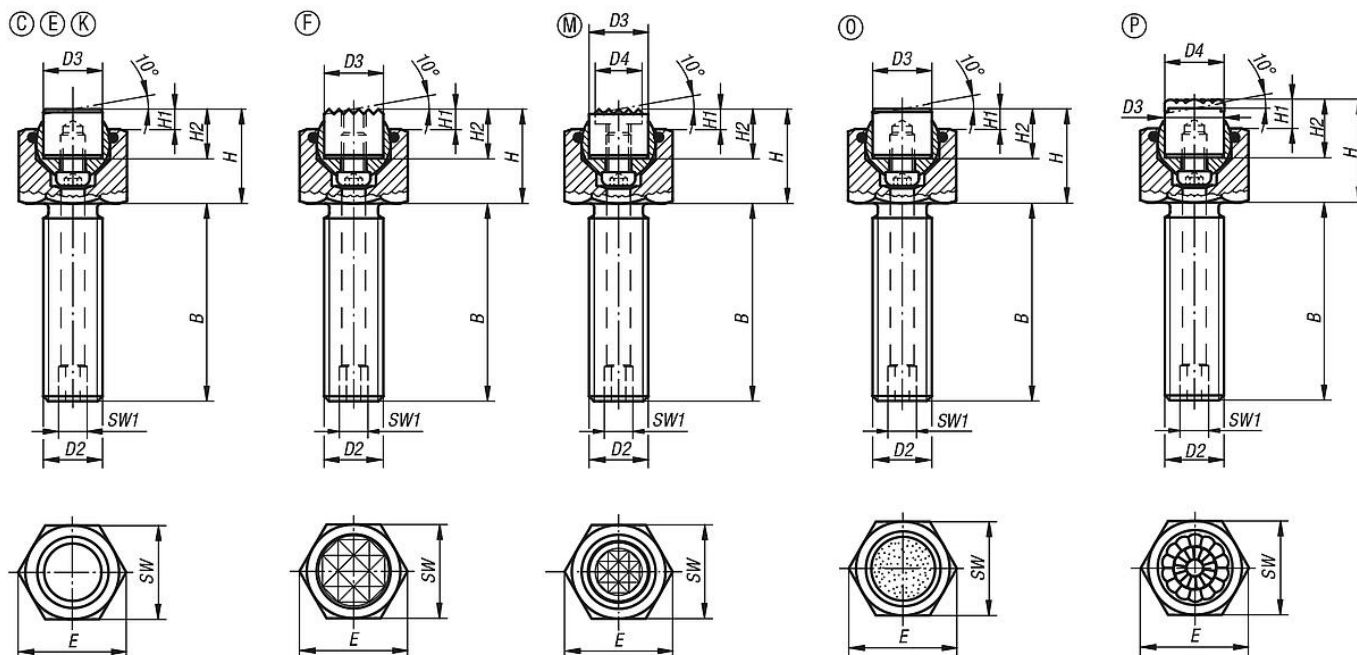
Advantages:

Highly cost-effective as inserts can be exchanged.

The built-in O-ring holds the ball in place and keeps dirt and foreign particles out, ensuring uniform movement.

Self-aligning pads adjustable, with O-ring and exchangeable inserts

Drawings



Overview of items

| Order No. | Form | B | D2 | D3 | D4 | H | H1 | H2 | E | SW | SW1 | Ball-Ø | Load rating max. kN (static load only) | Accessory |
|---------------|------|-----|-----|----|----|----|----|----|------|----|-----|--------|--|-------------|
| K0289.110X015 | C | 15 | M10 | 10 | - | 17 | 4 | 10 | 19,6 | 17 | 3 | 13 | 19 | K0385.10108 |
| K0289.110X030 | C | 30 | M10 | 10 | - | 17 | 4 | 10 | 19,6 | 17 | 3 | 13 | 19 | K0385.10108 |
| K0289.110X050 | C | 50 | M10 | 10 | - | 17 | 4 | 10 | 19,6 | 17 | 3 | 13 | 19 | K0385.10108 |
| K0289.112X020 | C | 20 | M12 | 12 | - | 19 | 4 | 10 | 21,9 | 19 | 5 | 15 | 30 | K0385.12108 |
| K0289.112X040 | C | 40 | M12 | 12 | - | 19 | 4 | 10 | 21,9 | 19 | 5 | 15 | 30 | K0385.12108 |
| K0289.112X060 | C | 60 | M12 | 12 | - | 19 | 4 | 10 | 21,9 | 19 | 5 | 15 | 30 | K0385.12108 |
| K0289.116X025 | C | 25 | M16 | 16 | - | 23 | 4 | 10 | 27,7 | 24 | 6 | 20 | 50 | K0385.16108 |
| K0289.116X050 | C | 50 | M16 | 16 | - | 23 | 4 | 10 | 27,7 | 24 | 6 | 20 | 50 | K0385.16108 |
| K0289.116X080 | C | 80 | M16 | 16 | - | 23 | 4 | 10 | 27,7 | 24 | 6 | 20 | 50 | K0385.16108 |
| K0289.120X030 | C | 30 | M20 | 20 | - | 24 | 4 | 10 | 34,6 | 30 | 8 | 23 | 85 | K0385.20108 |
| K0289.120X060 | C | 60 | M20 | 20 | - | 24 | 4 | 10 | 34,6 | 30 | 8 | 23 | 85 | K0385.20108 |
| K0289.120X100 | C | 100 | M20 | 20 | - | 24 | 4 | 10 | 34,6 | 30 | 8 | 23 | 85 | K0385.20108 |
| K0289.124X040 | C | 40 | M24 | 25 | - | 30 | 4 | 10 | 41,6 | 36 | 10 | 28 | 121 | K0385.25108 |
| K0289.124X100 | C | 100 | M24 | 25 | - | 30 | 4 | 10 | 41,6 | 36 | 10 | 28 | 121 | K0385.25108 |
| K0289.210X015 | E | 15 | M10 | 10 | - | 17 | 4 | 10 | 19,6 | 17 | 3 | 13 | 19 | K0385.10102 |
| K0289.210X030 | E | 30 | M10 | 10 | - | 17 | 4 | 10 | 19,6 | 17 | 3 | 13 | 19 | K0385.10102 |
| K0289.210X050 | E | 50 | M10 | 10 | - | 17 | 4 | 10 | 19,6 | 17 | 3 | 13 | 19 | K0385.10102 |
| K0289.212X020 | E | 20 | M12 | 12 | - | 19 | 4 | 10 | 21,9 | 19 | 5 | 15 | 30 | K0385.12102 |
| K0289.212X040 | E | 40 | M12 | 12 | - | 19 | 4 | 10 | 21,9 | 19 | 5 | 15 | 30 | K0385.12102 |
| K0289.212X060 | E | 60 | M12 | 12 | - | 19 | 4 | 10 | 21,9 | 19 | 5 | 15 | 30 | K0385.12102 |
| K0289.216X025 | E | 25 | M16 | 16 | - | 23 | 4 | 10 | 27,7 | 24 | 6 | 20 | 50 | K0385.16102 |
| K0289.216X050 | E | 50 | M16 | 16 | - | 23 | 4 | 10 | 27,7 | 24 | 6 | 20 | 50 | K0385.16102 |
| K0289.216X080 | E | 80 | M16 | 16 | - | 23 | 4 | 10 | 27,7 | 24 | 6 | 20 | 50 | K0385.16102 |
| K0289.220X030 | E | 30 | M20 | 20 | - | 24 | 4 | 10 | 34,6 | 30 | 8 | 23 | 85 | K0385.20102 |
| K0289.220X060 | E | 60 | M20 | 20 | - | 24 | 4 | 10 | 34,6 | 30 | 8 | 23 | 85 | K0385.20102 |
| K0289.220X100 | E | 100 | M20 | 20 | - | 24 | 4 | 10 | 34,6 | 30 | 8 | 23 | 85 | K0385.20102 |
| K0289.224X040 | E | 40 | M24 | 25 | - | 30 | 4 | 10 | 41,6 | 36 | 10 | 28 | 121 | K0385.25102 |
| K0289.224X100 | E | 100 | M24 | 25 | - | 30 | 4 | 10 | 41,6 | 36 | 10 | 28 | 121 | K0385.25102 |
| K0289.310X015 | F | 15 | M10 | 10 | - | 17 | 4 | 10 | 19,6 | 17 | 3 | 13 | 19 | K0385.1010 |
| K0289.310X030 | F | 30 | M10 | 10 | - | 17 | 4 | 10 | 19,6 | 17 | 3 | 13 | 19 | K0385.1010 |
| K0289.310X050 | F | 50 | M10 | 10 | - | 17 | 4 | 10 | 19,6 | 17 | 3 | 13 | 19 | K0385.1010 |
| K0289.312X020 | F | 20 | M12 | 12 | - | 19 | 4 | 10 | 21,9 | 19 | 5 | 15 | 30 | K0385.1210 |
| K0289.312X040 | F | 40 | M12 | 12 | - | 19 | 4 | 10 | 21,9 | 19 | 5 | 15 | 30 | K0385.1210 |

Self-aligning pads adjustable, with O-ring and exchangeable inserts

Overview of items

| Order No. | Form | B | D2 | D3 | D4 | H | H1 | H2 | E | SW | SW1 | Ball-Ø | Load rating max. kN (static load only) | Accessory |
|---------------|------|-----|-----|----|------|----|----|----|------|----|-----|--------|--|-------------|
| K0289.312X060 | F | 60 | M12 | 12 | - | 19 | 4 | 10 | 21,9 | 19 | 5 | 15 | 30 | K0385.1210 |
| K0289.316X025 | F | 25 | M16 | 16 | - | 23 | 4 | 10 | 27,7 | 24 | 6 | 20 | 50 | K0385.1610 |
| K0289.316X050 | F | 50 | M16 | 16 | - | 23 | 4 | 10 | 27,7 | 24 | 6 | 20 | 50 | K0385.1610 |
| K0289.316X080 | F | 80 | M16 | 16 | - | 23 | 4 | 10 | 27,7 | 24 | 6 | 20 | 50 | K0385.1610 |
| K0289.320X030 | F | 30 | M20 | 20 | - | 24 | 4 | 10 | 34,6 | 30 | 8 | 23 | 85 | K0385.2010 |
| K0289.320X060 | F | 60 | M20 | 20 | - | 24 | 4 | 10 | 34,6 | 30 | 8 | 23 | 85 | K0385.2010 |
| K0289.320X100 | F | 100 | M20 | 20 | - | 24 | 4 | 10 | 34,6 | 30 | 8 | 23 | 85 | K0385.2010 |
| K0289.324X040 | F | 40 | M24 | 25 | - | 30 | 4 | 10 | 41,6 | 36 | 10 | 28 | 121 | K0385.2510 |
| K0289.324X100 | F | 100 | M24 | 25 | - | 30 | 4 | 10 | 41,6 | 36 | 10 | 28 | 121 | K0385.2510 |
| K0289.710X015 | K | 15 | M10 | 10 | - | 17 | 4 | 10 | 19,6 | 17 | 3 | 13 | 4 | K0385.10109 |
| K0289.710X030 | K | 30 | M10 | 10 | - | 17 | 4 | 10 | 19,6 | 17 | 3 | 13 | 4 | K0385.10109 |
| K0289.710X050 | K | 50 | M10 | 10 | - | 17 | 4 | 10 | 19,6 | 17 | 3 | 13 | 4 | K0385.10109 |
| K0289.712X020 | K | 20 | M12 | 12 | - | 19 | 4 | 10 | 21,9 | 19 | 5 | 15 | 7 | K0385.12109 |
| K0289.712X040 | K | 40 | M12 | 12 | - | 19 | 4 | 10 | 21,9 | 19 | 5 | 15 | 7 | K0385.12109 |
| K0289.712X060 | K | 60 | M12 | 12 | - | 19 | 4 | 10 | 21,9 | 19 | 5 | 15 | 7 | K0385.12109 |
| K0289.716X025 | K | 25 | M16 | 16 | - | 23 | 4 | 10 | 27,7 | 24 | 6 | 20 | 14 | K0385.16109 |
| K0289.716X050 | K | 50 | M16 | 16 | - | 23 | 4 | 10 | 27,7 | 24 | 6 | 20 | 14 | K0385.16109 |
| K0289.716X080 | K | 80 | M16 | 16 | - | 23 | 4 | 10 | 27,7 | 24 | 6 | 20 | 14 | K0385.16109 |
| K0289.720X030 | K | 30 | M20 | 20 | - | 24 | 4 | 10 | 34,6 | 30 | 8 | 23 | 27 | K0385.20109 |
| K0289.720X060 | K | 60 | M20 | 20 | - | 24 | 4 | 10 | 34,6 | 30 | 8 | 23 | 27 | K0385.20109 |
| K0289.720X100 | K | 100 | M20 | 20 | - | 24 | 4 | 10 | 34,6 | 30 | 8 | 23 | 27 | K0385.20109 |
| K0289.724X040 | K | 40 | M24 | 25 | - | 30 | 4 | 10 | 41,6 | 36 | 10 | 28 | 47 | K0385.25109 |
| K0289.724X100 | K | 100 | M24 | 25 | - | 30 | 4 | 10 | 41,6 | 36 | 10 | 28 | 47 | K0385.25109 |
| K0289.910X015 | M | 15 | M10 | 10 | 7,9 | 17 | 4 | 10 | 19,6 | 17 | 3 | 13 | 19 | K0385.10107 |
| K0289.910X030 | M | 30 | M10 | 10 | 7,9 | 17 | 4 | 10 | 19,6 | 17 | 3 | 13 | 19 | K0385.10107 |
| K0289.910X050 | M | 50 | M10 | 10 | 7,9 | 17 | 4 | 10 | 19,6 | 17 | 3 | 13 | 19 | K0385.10107 |
| K0289.912X020 | M | 20 | M12 | 12 | 9,5 | 19 | 4 | 10 | 21,9 | 19 | 5 | 15 | 30 | K0385.12107 |
| K0289.912X040 | M | 40 | M12 | 12 | 9,5 | 19 | 4 | 10 | 21,9 | 19 | 5 | 15 | 30 | K0385.12107 |
| K0289.912X060 | M | 60 | M12 | 12 | 9,5 | 19 | 4 | 10 | 21,9 | 19 | 5 | 15 | 30 | K0385.12107 |
| K0289.916X025 | M | 25 | M16 | 16 | 12,7 | 23 | 4 | 10 | 27,7 | 24 | 6 | 20 | 50 | K0385.16107 |
| K0289.916X050 | M | 50 | M16 | 16 | 12,7 | 23 | 4 | 10 | 27,7 | 24 | 6 | 20 | 50 | K0385.16107 |
| K0289.916X080 | M | 80 | M16 | 16 | 12,7 | 23 | 4 | 10 | 27,7 | 24 | 6 | 20 | 50 | K0385.16107 |
| K0289.920X030 | M | 30 | M20 | 20 | 15,9 | 24 | 4 | 10 | 34,6 | 30 | 8 | 23 | 85 | K0385.20107 |
| K0289.920X060 | M | 60 | M20 | 20 | 15,9 | 24 | 4 | 10 | 34,6 | 30 | 8 | 23 | 85 | K0385.20107 |
| K0289.920X100 | M | 100 | M20 | 20 | 15,9 | 24 | 4 | 10 | 34,6 | 30 | 8 | 23 | 85 | K0385.20107 |
| K0289.924X040 | M | 40 | M24 | 25 | 19 | 30 | 4 | 10 | 41,6 | 36 | 10 | 28 | 121 | K0385.25107 |
| K0289.924X100 | M | 100 | M24 | 25 | 19 | 30 | 4 | 10 | 41,6 | 36 | 10 | 28 | 121 | K0385.25107 |
| K0289.510X015 | O | 15 | M10 | 10 | - | 17 | 4 | 10 | 19,6 | 17 | 3 | 13 | 19 | K0385.10105 |
| K0289.510X030 | O | 30 | M10 | 10 | - | 17 | 4 | 10 | 19,6 | 17 | 3 | 13 | 19 | K0385.10105 |
| K0289.510X050 | O | 50 | M10 | 10 | - | 17 | 4 | 10 | 19,6 | 17 | 3 | 13 | 19 | K0385.10105 |
| K0289.512X020 | O | 20 | M12 | 12 | - | 19 | 4 | 10 | 21,9 | 19 | 5 | 15 | 30 | K0385.12105 |
| K0289.512X040 | O | 40 | M12 | 12 | - | 19 | 4 | 10 | 21,9 | 19 | 5 | 15 | 30 | K0385.12105 |
| K0289.512X060 | O | 60 | M12 | 12 | - | 19 | 4 | 10 | 21,9 | 19 | 5 | 15 | 30 | K0385.12105 |
| K0289.516X025 | O | 25 | M16 | 16 | - | 23 | 4 | 10 | 27,7 | 24 | 6 | 20 | 50 | K0385.16105 |
| K0289.516X050 | O | 50 | M16 | 16 | - | 23 | 4 | 10 | 27,7 | 24 | 6 | 20 | 50 | K0385.16105 |
| K0289.516X080 | O | 80 | M16 | 16 | - | 23 | 4 | 10 | 27,7 | 24 | 6 | 20 | 50 | K0385.16105 |
| K0289.520X030 | O | 30 | M20 | 20 | - | 24 | 4 | 10 | 34,6 | 30 | 8 | 23 | 85 | K0385.20105 |
| K0289.520X060 | O | 60 | M20 | 20 | - | 24 | 4 | 10 | 34,6 | 30 | 8 | 23 | 85 | K0385.20105 |
| K0289.520X100 | O | 100 | M20 | 20 | - | 24 | 4 | 10 | 34,6 | 30 | 8 | 23 | 85 | K0385.20105 |
| K0289.524X040 | O | 40 | M24 | 25 | - | 30 | 4 | 10 | 41,6 | 36 | 10 | 28 | 121 | K0385.25105 |
| K0289.524X100 | O | 100 | M24 | 25 | - | 30 | 4 | 10 | 41,6 | 36 | 10 | 28 | 121 | K0385.25105 |
| K0289.610X015 | P | 15 | M10 | 10 | 10 | 19 | 6 | 12 | 19,6 | 17 | 3 | 13 | - | K0385.10126 |
| K0289.610X030 | P | 30 | M10 | 10 | 10 | 19 | 6 | 12 | 19,6 | 17 | 3 | 13 | - | K0385.10126 |
| K0289.610X050 | P | 50 | M10 | 10 | 10 | 19 | 6 | 12 | 19,6 | 17 | 3 | 13 | - | K0385.10126 |
| K0289.612X020 | P | 20 | M12 | 12 | 13 | 21 | 6 | 12 | 21,9 | 19 | 5 | 15 | - | K0385.12126 |
| K0289.612X040 | P | 40 | M12 | 12 | 13 | 21 | 6 | 12 | 21,9 | 19 | 5 | 15 | - | K0385.12126 |
| K0289.612X060 | P | 60 | M12 | 12 | 13 | 21 | 6 | 12 | 21,9 | 19 | 5 | 15 | - | K0385.12126 |
| K0289.616X025 | P | 25 | M16 | 16 | 16 | 25 | 6 | 12 | 27,7 | 24 | 6 | 20 | - | K0385.16126 |
| K0289.616X050 | P | 50 | M16 | 16 | 16 | 25 | 6 | 12 | 27,7 | 24 | 6 | 20 | - | K0385.16126 |
| K0289.616X080 | P | 80 | M16 | 16 | 16 | 25 | 6 | 12 | 27,7 | 24 | 6 | 20 | - | K0385.16126 |
| K0289.620X030 | P | 30 | M20 | 20 | 21 | 26 | 6 | 12 | 34,6 | 30 | 8 | 23 | - | K0385.20126 |

Self-aligning pads adjustable, with O-ring and exchangeable inserts

Overview of items

| Order No. | Form | B | D2 | D3 | D4 | H | H1 | H2 | E | SW | SW1 | Ball-Ø | Load rating max. kN (static load only) | Accessory |
|----------------------|------|-----|-----|----|----|----|----|----|------|----|-----|--------|--|-------------|
| K0289.620X060 | P | 60 | M20 | 20 | 21 | 26 | 6 | 12 | 34,6 | 30 | 8 | 23 | - | K0385.20126 |
| K0289.620X100 | P | 100 | M20 | 20 | 21 | 26 | 6 | 12 | 34,6 | 30 | 8 | 23 | - | K0385.20126 |
| K0289.624X040 | P | 40 | M24 | 25 | 27 | 32 | 6 | 12 | 41,6 | 36 | 10 | 28 | - | K0385.25126 |
| K0289.624X100 | P | 100 | M24 | 25 | 27 | 32 | 6 | 12 | 41,6 | 36 | 10 | 28 | - | K0385.25126 |