

Triangular grips

Item description/product images



Description

Material:

Grip glass-bead reinforced thermoplastic.

Cap thermoplastic.

Steel parts grade 5.8.

Version:

Grip and cap black grey (RAL 7021).

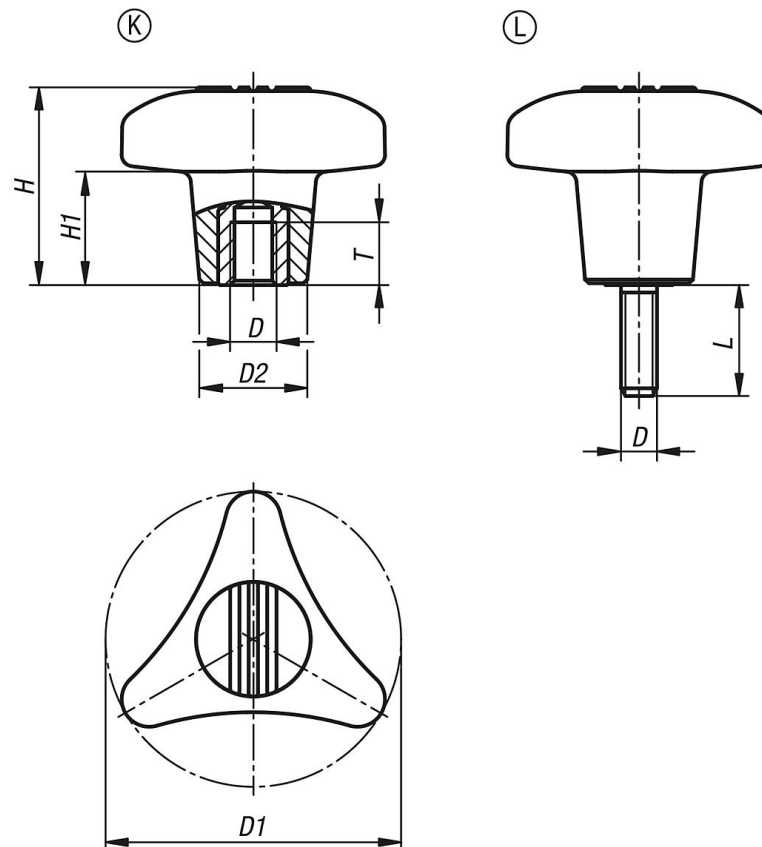
Steel parts blue-passivated.

On request:

Other screw lengths and colours.

Metal parts stainless steel.

Drawings



Overview of items

Triangular grips, internal thread

Order No.	Form	D	D1	D2	H	H1	L	T
K1020.18008	K	M8	80	29,2	53,5	31	-	17
K1020.18010	K	M10	80	29,2	53,5	31	-	17
K1020.18012	K	M12	80	29,2	53,5	31	-	17
K1020.18008X	L	M8	80	29,2	53,5	31	15	-

Triangular grips

Overview of items

Order No.	Form	D	D1	D2	H	H1	L	T
K1020.18008X	L	M8	80	29,2	53,5	31	20	-
K1020.18008X	L	M8	80	29,2	53,5	31	30	-
K1020.18008X	L	M8	80	29,2	53,5	31	40	-
K1020.18008X	L	M8	80	29,2	53,5	31	50	-
K1020.18010X	L	M10	80	29,2	53,5	31	15	-
K1020.18010X	L	M10	80	29,2	53,5	31	20	-
K1020.18010X	L	M10	80	29,2	53,5	31	30	-
K1020.18010X	L	M10	80	29,2	53,5	31	40	-
K1020.18010X	L	M10	80	29,2	53,5	31	50	-
K1020.18012X	L	M12	80	29,2	53,5	31	15	-
K1020.18012X	L	M12	80	29,2	53,5	31	20	-
K1020.18012X	L	M12	80	29,2	53,5	31	30	-
K1020.18012X	L	M12	80	29,2	53,5	31	40	-
K1020.18012X	L	M12	80	29,2	53,5	31	50	-