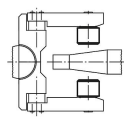


Self-aligning pads self-righting

Item description/product images

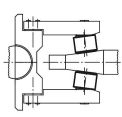


1. bring gripper into position



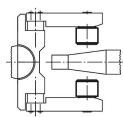
zero-point position of self-aligning pads

2. grip workpiece



self-aligning pads adapt to workpiece contour

3. open gripper



self-aligning pads swivel back automatically

Description

Material:

Carbon steel.

Version:

Hardened, black oxidised.

Note:

Self-aligning pads are used to support and clamp unmachined and machined workpieces.

They also serve as stops, supports and thrust pads in fixtures and toolmaking.

Advantages:

- The built-in O-ring prevents dirt and foreign particles from entering.
- The clamping surface swivels back automatically after clamping.
- High load rating and small size.

Drawing reference:

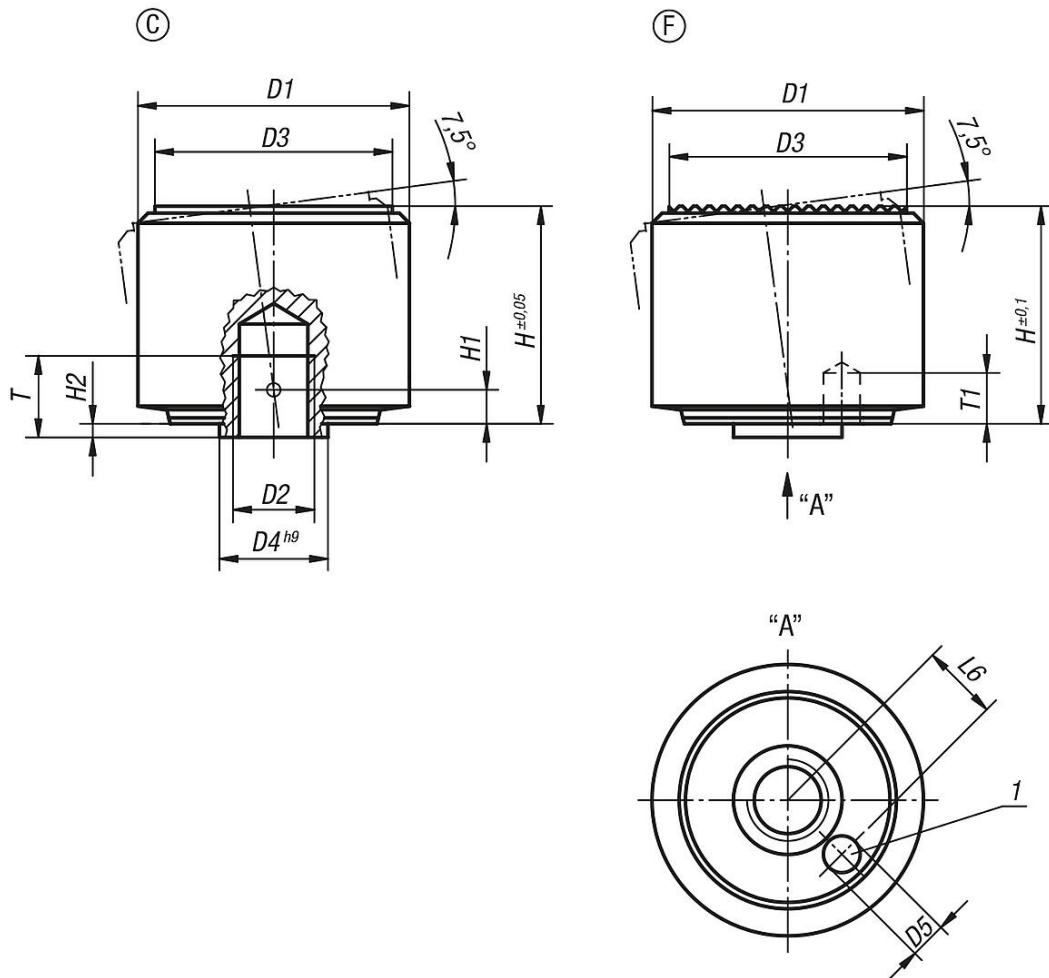
Form C: smooth face

Form F: serrated face

1) Hole for pin as a rotation lock

Self-aligning pads self-righting

Drawings



Overview of items

| Order No. | Form | D1 | D2 | D3 | D4 | D5 | H | H1 | H2 | T | T1 | L6 | Load rating max. kN (static load only) |
|-----------|------|----|-----|----|----|-----|------|-----|-----|----|----|------|--|
| K0286.105 | C | 18 | M5 | 15 | 7 | 1,8 | 14 | 2,1 | 0,8 | 5 | 3 | 4,6 | 30 |
| K0286.106 | C | 22 | M6 | 18 | 8 | 2,8 | 16,5 | 2,5 | 1 | 6 | 4 | 5,6 | 50 |
| K0286.108 | C | 28 | M8 | 23 | 11 | 3,3 | 21,5 | 3,4 | 1,3 | 8 | 5 | 7,5 | 90 |
| K0286.110 | C | 34 | M10 | 29 | 13 | 4,4 | 27 | 4,2 | 1,6 | 10 | 6 | 9,2 | 140 |
| K0286.112 | C | 40 | M12 | 35 | 16 | 5,4 | 32 | 5 | 2 | 12 | 8 | 11,3 | 220 |
| K0286.305 | F | 18 | M5 | 15 | 7 | 1,8 | 14 | 2,1 | 0,8 | 5 | 3 | 4,6 | 30 |
| K0286.306 | F | 22 | M6 | 18 | 8 | 2,8 | 16,5 | 2,5 | 1 | 6 | 4 | 5,6 | 50 |
| K0286.308 | F | 28 | M8 | 23 | 11 | 3,3 | 21,5 | 3,4 | 1,3 | 8 | 5 | 7,5 | 90 |
| K0286.310 | F | 34 | M10 | 29 | 13 | 4,4 | 27 | 4,2 | 1,6 | 10 | 6 | 9,2 | 140 |
| K0286.312 | F | 40 | M12 | 35 | 16 | 5,4 | 32 | 5 | 2 | 12 | 8 | 11,3 | 220 |