

Crank handles aluminium with fold-away grip and reamed hole

Item description/product images



Description

Material:

Crank aluminium.
Cylinder grip thermoplastic and steel.

Version:

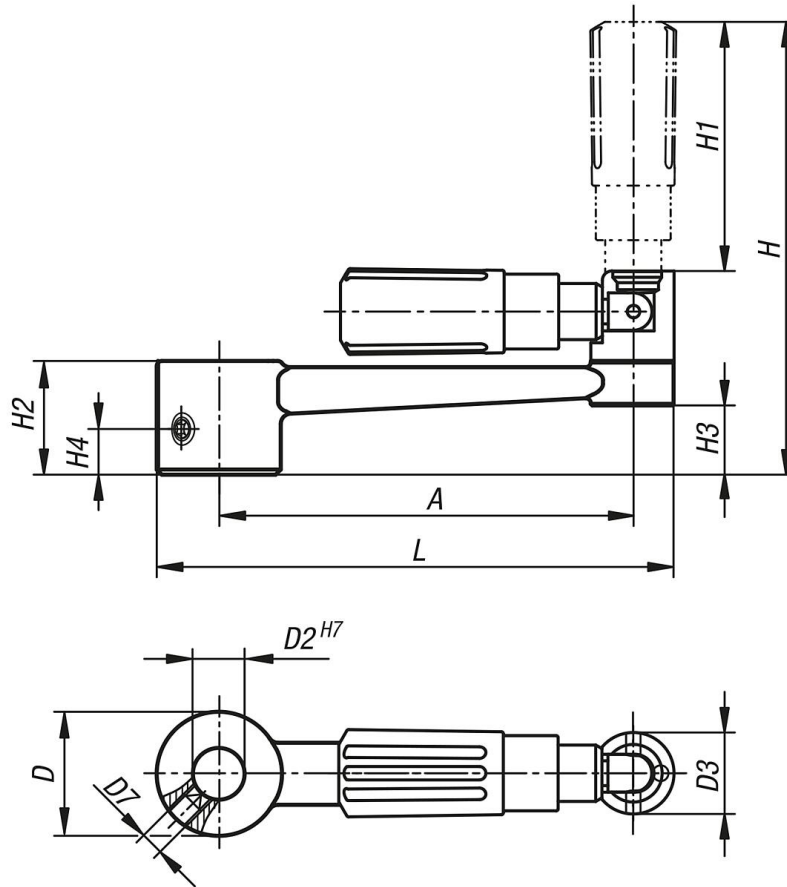
Crank black powder-coated.
Thermoplastic black grey.
Steel parts black oxidised.

Note:

Similar to DIN 469.
Versions with transverse bore are secured using the ISO 4027 (DIN 914) grub screw.

Crank handles aluminium with fold-away grip and reamed hole

Drawings



Overview of items

Order No.	Version 1	Version 2	A	D	D2	D3	D7	H	H1	H2	H3	H4	L
K0997.1110	reamed hole	without transverse hole	80	24	10	16	-	89	49	22	13,4	-	100
K0997.1212	reamed hole	without transverse hole	100	28	12	20	-	108	59,5	26	16	-	124
K0997.1314	reamed hole	without transverse hole	125	30	14	25	-	140	83	28	15,8	-	153
K0997.1417	reamed hole	without transverse hole	160	34	17	25	-	144	83	32	19,6	-	190
K0997.11106	reamed hole	with transverse bore	80	24	10	16	M6	89	49	22	13,4	7,5	100
K0997.12126	reamed hole	with transverse bore	100	28	12	20	M6	107,9	59,4	26	16	7,5	124
K0997.13146	reamed hole	with transverse bore	125	30	14	26	M6	140,5	83,5	28	15,8	7,5	153
K0997.14176	reamed hole	with transverse bore	160	34	17	26	M6	144,5	83,5	32	19,6	7,5	190