

Crank handles aluminium with fold-away grip

Item description/product images



Description

Material:

Crank aluminium.
Cylinder grip thermoplastic and steel.

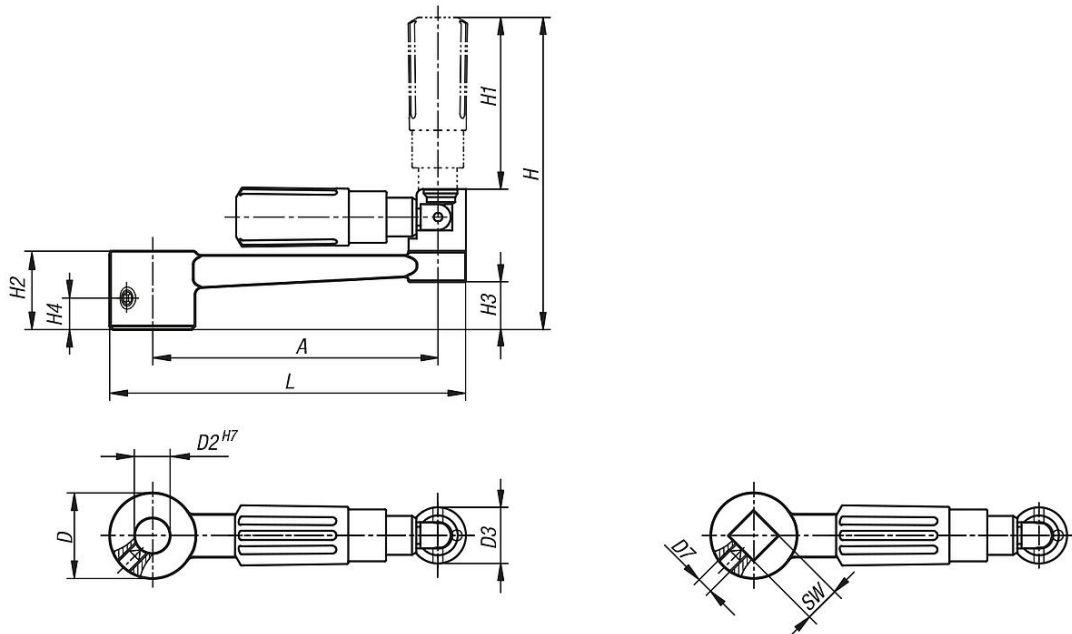
Version:

Crank black powder-coated.
Thermoplastic black grey.
Steel parts black oxidised.

Note:

Similar to DIN 469.
Versions with transverse bore are secured using the ISO 4027 (DIN 914) grub screw.

Drawings



Overview of items

Crank handles aluminium with fold-away cylinder grip

Order No.	Version 1	Version 2	A	D	D2	D3	D7	H	H1	H2	H3	H4	L	SW
K0997.1110	reamed hole	without transverse hole	80	24	10	16	-	89	49	22	13,4	-	100	-
K0997.1212	reamed hole	without transverse hole	100	28	12	20	-	108	59,5	26	16	-	124	-
K0997.1314	reamed hole	without transverse hole	125	30	14	25	-	140	83	28	15,8	-	153	-
K0997.1417	reamed hole	without transverse hole	160	34	17	25	-	144	83	32	19,6	-	190	-

Crank handles aluminium with fold-away grip

Overview of items

Order No.	Version 1	Version 2	A	D	D2	D3	D7	H	H1	H2	H3	H4	L	SW
K0997.11106	reamed hole	with transverse bore	80	24	10	16	M6	89	49	22	13,4	7,5	100	-
K0997.12126	reamed hole	with transverse bore	100	28	12	20	M6	107,9	59,4	26	16	7,5	124	-
K0997.13146	reamed hole	with transverse bore	125	30	14	26	M6	140,5	83,5	28	15,8	7,5	153	-
K0997.14176	reamed hole	with transverse bore	160	34	17	26	M6	144,5	83,5	32	19,6	7,5	190	-
K0997.2110	square socket	without transverse hole	80	24	-	16	-	89	49	22	13,4	-	100	10
K0997.2212	square socket	without transverse hole	100	28	-	20	-	108	59,5	26	16	-	124	12
K0997.2314	square socket	without transverse hole	125	30	-	25	-	140	83	28	15,8	-	153	14
K0997.2417	square socket	without transverse hole	160	34	-	25	-	144	83	32	19,6	-	190	17
K0997.21106	square socket	with transverse bore	80	24	-	16	M6	89	49	22	13,4	7,5	100	10
K0997.22126	square socket	with transverse bore	100	28	-	20	M6	107,9	59,4	26	16	7,5	124	12
K0997.23146	square socket	with transverse bore	125	30	-	26	M6	140,5	83,5	28	15,8	7,5	153	14
K0997.24176	square socket	with transverse bore	160	34	-	26	M6	144,5	83,5	32	19,6	7,5	190	17