

## Crank handles aluminium with safety grip and square socket

### Item description/product images

---



### Description

**Material:**

Crank aluminium.  
Cylinder grip thermoplastic and steel.

**Version:**

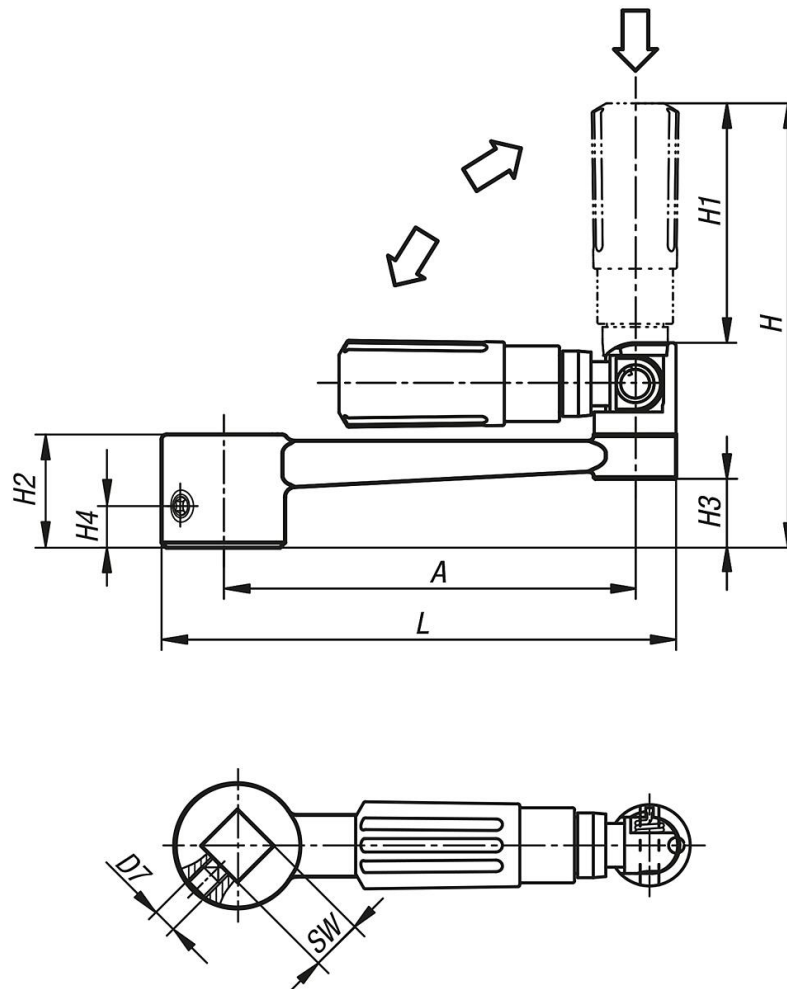
Crank black powder-coated.  
Thermoplastic black grey.  
Steel parts black oxidised.

**Note:**

Similar to DIN 469.  
Versions with transverse bore are secured using the ISO 4027 (DIN 914) grub screw.

# Crank handles aluminium with safety grip and square socket

## Drawings



## Overview of items

Order No.	Version 1	Version 2	A	D	D3	D7	H	H1	H2	H3	H4	L	SW
K0998.2110	square socket	without transverse hole	80	24	16	-	87,5	47,5	22	13,6	-	100	10
K0998.2212	square socket	without transverse hole	100	28	20	-	107	58,5	25	16	-	124	12
K0998.2314	square socket	without transverse hole	125	30	25	-	139	82	28	15,8	-	153	14
K0998.2417	square socket	without transverse hole	160	34	25	-	143	82	32	19,6	-	190	17
K0998.21106	square socket	with transverse bore	80	24	16	M6	87,5	47,5	22	13,4	7,5	100	10
K0998.22126	square socket	with transverse bore	100	28	20	M6	106,9	58,4	26	16	7,5	124	12
K0998.23146	square socket	with transverse bore	125	30	26	M6	139,1	82,1	28	15,8	7,5	153	14
K0998.24176	square socket	with transverse bore	160	34	26	M6	143,1	82,1	32	19,6	7,5	190	17