

## Crank handles with safety grip, with keyway

### Item description/product images



### Description

**Material:**

Crank thermoplastic.

Cylinder grip thermoplastic and steel.

**Version:**

Black grey thermoplastic.

Steel parts black oxidised.

**Note:**

The hub cover is supplied unassembled. The crank handles can be secured to the shaft by cross-pinning or by parallel key together with a DIN 6912 cap screw and DIN 7349 washer. Two actions must be made to bring the safety cylinder grip into an operating position:

- Swing the grip out around the pivot shaft until it stops (90°).

- Push the grip in an axial direction into the lock position.

The pushed-in position is the most comfortable for cranking. The grip swings back automatically after releasing.

Versions with transverse bore are secured using the ISO 4027 (DIN 914) grub screw.

**Accessory:**

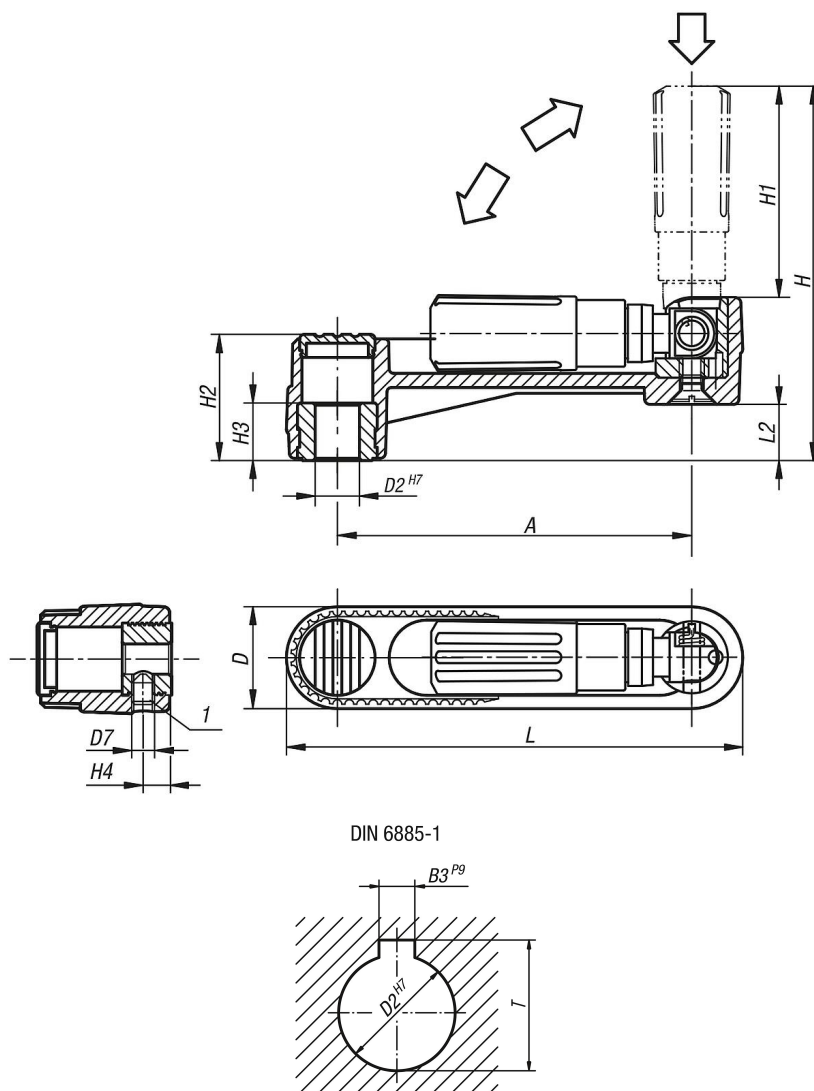
K1160 cap screws screws, low head DIN 6912.

**Drawing reference:**

1) Position of the transverse bore to the keyway is offset by 90°.

Crank handles with safety grip, with keyway

Drawings



Overview of items

Order No.	Version 1	Version 2	Component material	A	B3	D	D2	D7	H	H1	H2	H3	H4	L	L2	T
K0268.110802	reamed hole with slot	without transverse hole	thermoplastic	80	2	24	8	-	84,2	47,5	28,5	13	-	104	12,7	9
K0268.111003	reamed hole with slot	without transverse hole	thermoplastic	80	3	24	10	-	84,2	47,5	28,5	13	-	104	12,7	11,4
K0268.121003	reamed hole with slot	without transverse hole	thermoplastic	100	3	29	10	-	104,2	58,5	35,5	13	-	129	15,7	11,4
K0268.121204	reamed hole with slot	without transverse hole	thermoplastic	100	4	29	12	-	104,2	58,5	35,5	13	-	129	15,7	13,8
K0268.131204	reamed hole with slot	without transverse hole	thermoplastic	125	4	36	12	-	139	82	44	18,5	-	161	19,5	13,8
K0268.131405	reamed hole with slot	without transverse hole	thermoplastic	125	5	36	14	-	139	82	44	18,5	-	161	19,5	16,3
K0268.1108026	reamed hole with slot	with transverse bore	thermoplastic	80	2	24	8	M6	84,2	47,5	28,5	13	7,5	104	12,7	9
K0268.1110036	reamed hole with slot	with transverse bore	thermoplastic	80	3	24	10	M6	84,2	47,5	28,5	13	7,5	104	12,7	11,4
K0268.1210036	reamed hole with slot	with transverse bore	thermoplastic	100	3	29	10	M6	104,2	58,5	35,5	13	7,5	129	15,7	11,4
K0268.1212046	reamed hole with slot	with transverse bore	thermoplastic	100	4	29	12	M6	104,2	58,5	35,5	13	7,5	129	15,7	13,8
K0268.1312046	reamed hole with slot	with transverse bore	thermoplastic	125	4	36	12	M6	139	82	44	18,5	7,5	161	19,5	13,8
K0268.1314056	reamed hole with slot	with transverse bore	thermoplastic	125	5	36	14	M6	139	82	44	18,5	7,5	161	19,5	16,3

## **Crank handles with safety grip, with keyway**

Overview of items

---