

Tubular handles, aluminium with aluminium grip leg, oblique, Form C

Item description/product images



Description

Material:

Legs and grip aluminium profile EN AW-6060.
Connecting pins stainless steel.

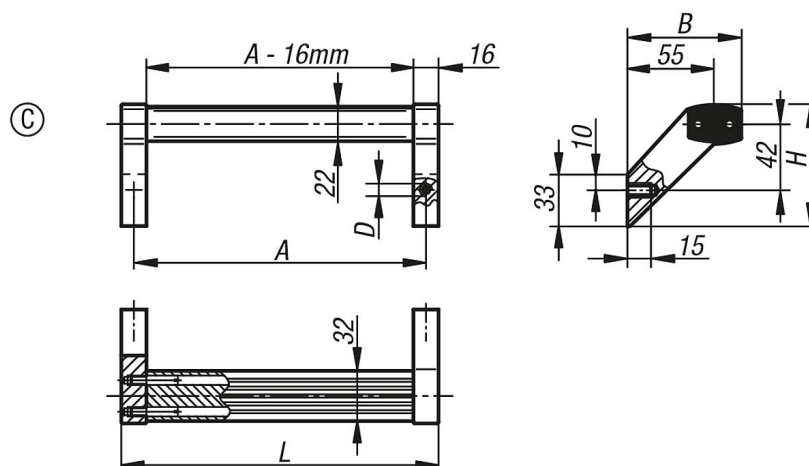
Version:

These tubular handles are characterised by robust construction and high load rating. M8x16 hexagon head DIN 933 electro zinc-plated screws and DIN EN ISO 7089 electro zinc-plated washers are included.

Note:

Legs glass-bead blasted and semi-matt black anodised.
Grip brushed and natural colour anodised, black anodised or titanium colour powder-coated.

Drawings



Overview of items

Order No.	Form	Main colour	A	B	D	H	L	Load capacity N
K0131.2000831	C	black anodised	200	72,5	M8	77,5	216	1000
K0131.2000832	C	titanium tone powder coated	200	72,5	M8	77,5	216	1000
K0131.2000833	C	natural anodized	200	72,5	M8	77,5	216	1000
K0131.3000831	C	black anodised	300	72,5	M8	77,5	316	1000
K0131.3000832	C	titanium tone powder coated	300	72,5	M8	77,5	316	1000
K0131.3000833	C	natural anodized	300	72,5	M8	77,5	316	1000
K0131.4000831	C	black anodised	400	72,5	M8	77,5	416	1000
K0131.4000832	C	titanium tone powder coated	400	72,5	M8	77,5	416	1000
K0131.4000833	C	natural anodized	400	72,5	M8	77,5	416	1000
K0131.5000831	C	black anodised	500	72,5	M8	77,5	516	1000
K0131.5000832	C	titanium tone powder coated	500	72,5	M8	77,5	516	1000
K0131.5000833	C	natural anodized	500	72,5	M8	77,5	516	1000

