

Tubular handles, aluminium with aluminium grip legs, Form B

Item description/product images



Description

Material:

Legs and grip aluminium profile EN AW-6060.
Connecting pins stainless steel.

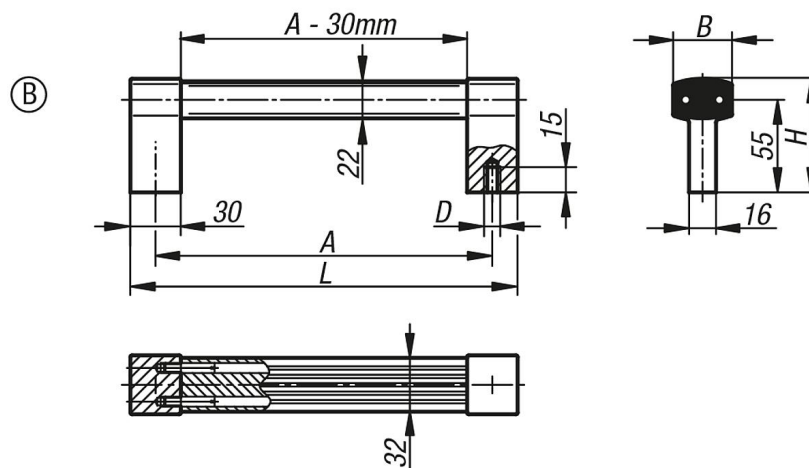
Version:

Legs glass-bead blasted and semi-matt black anodised.
Grip brushed and natural colour anodised, black anodised or titanium colour powder-coated.

Note:

These tubular handles are characterised by robust construction and high load rating. M8x16 hexagon head DIN 933 electro zinc-plated screws and DIN EN ISO 7089 electro zinc-plated washers are included.

Drawings



Overview of items

Order No.	Form	Main colour	A	B	D	H	L	Load capacity N
K0131.2000821	B	black anodised	200	35	M8	67,5	230	1000
K0131.2000822	B	titanium tone powder coated	200	35	M8	67,5	230	1000
K0131.2000823	B	natural anodized	200	35	M8	67,5	230	1000
K0131.3000821	B	black anodised	300	35	M8	67,5	330	1000
K0131.3000822	B	titanium tone powder coated	300	35	M8	67,5	330	1000
K0131.3000823	B	natural anodized	300	35	M8	67,5	330	1000
K0131.4000821	B	black anodised	400	35	M8	67,5	430	1000
K0131.4000822	B	titanium tone powder coated	400	35	M8	67,5	430	1000
K0131.4000823	B	natural anodized	400	35	M8	67,5	430	1000
K0131.5000821	B	black anodised	500	35	M8	67,5	530	1000
K0131.5000822	B	titanium tone powder coated	500	35	M8	67,5	530	1000
K0131.5000823	B	natural anodized	500	35	M8	67,5	530	1000

