

## Clamping grips, ergonomic, with internal thread

### Item description/product images



### Description

#### Material:

Hard components fibreglass reinforced plastic.  
Soft components thermoplastic elastomer.  
Bushing steel grade 5.8 or stainless steel 1.4305.

#### Version:

Steel trivalent blue passivated.  
Stainless steel, bright.

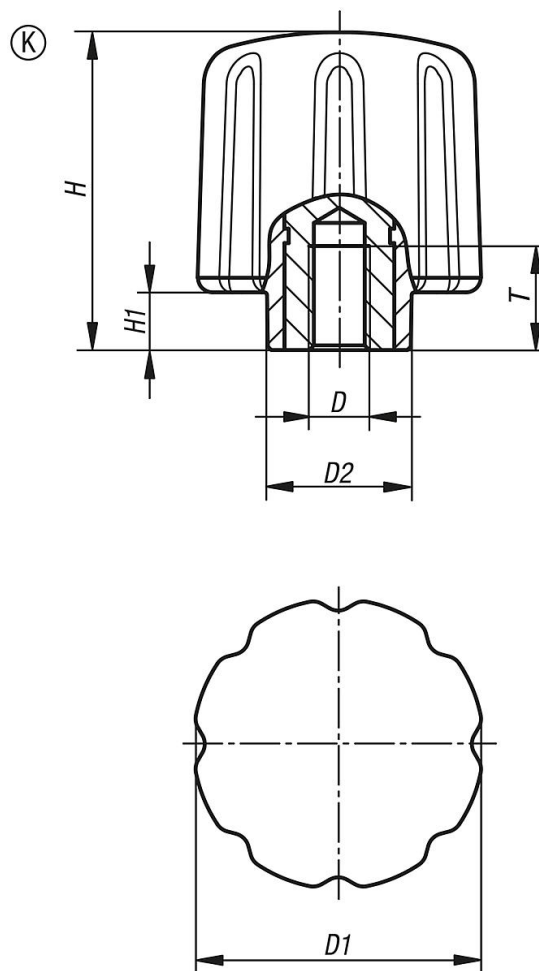
#### Note:

The colour combination  
black grey RAL 7021 (hard components) and  
black grey RAL 7021 (soft components)  
are supplied as standard.

#### On request:

Other versions.

### Drawings



## Clamping grips, ergonomic, with internal thread

### Overview of items

Order No.	Form	Component material	D	D1	D2	H	H1	T
K0779.5006	K	steel	M6	50	26	55	10	17
K0779.5008	K	steel	M8	50	26	55	10	17
K0779.5010	K	steel	M10	50	26	55	10	17
K0779.05006	K	stainless steel	M6	50	26	55	10	17
K0779.05008	K	stainless steel	M8	50	26	55	10	17
K0779.05010	K	stainless steel	M10	50	26	55	10	17