

Triangular grip, ergonomic with internal thread

Item description/product images



Description

Material:

Hard components fibreglass reinforced plastic.
Soft components thermoplastic elastomer.
Bushing steel grade 5.8 or stainless steel 1.4305.

Version:

Steel trivalent blue passivated.
Stainless steel, bright.

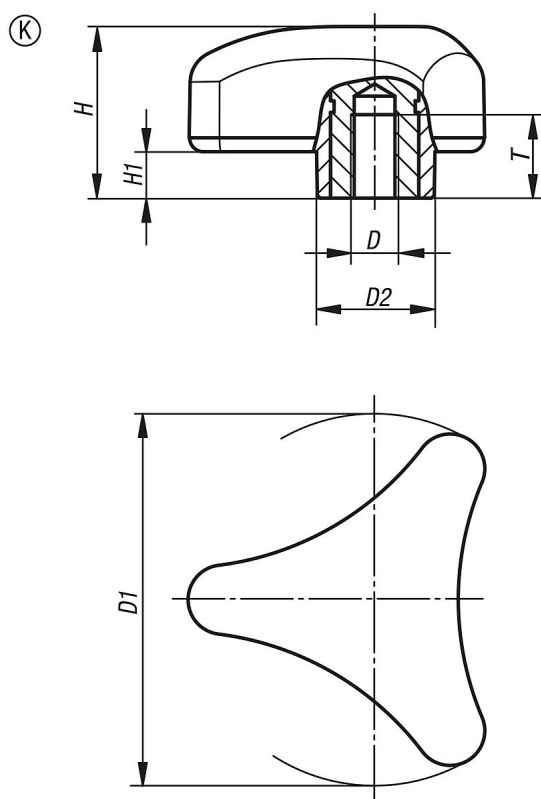
Note:

The colour combination black grey RAL 7021 (hard components) and black grey RAL 7021 (soft components) are supplied as standard.

On request:

Other versions.

Drawings



Overview of items

| Order No. | Form | Component material | D | D1 | D2 | H | H1 | T |
|-------------|------|--------------------|-----|----|----|----|----|----|
| K0785.8008 | K | steel | M8 | 80 | 26 | 37 | 10 | 17 |
| K0785.8010 | K | steel | M10 | 80 | 26 | 37 | 10 | 17 |
| K0785.8012 | K | steel | M12 | 80 | 26 | 37 | 10 | 17 |
| K0785.08008 | K | stainless steel | M8 | 80 | 26 | 37 | 10 | 17 |

Triangular grip, ergonomic with internal thread**Overview of items**

| Order No. | Form | Component material | D | D1 | D2 | H | H1 | T |
|--------------------|------|--------------------|-----|----|----|----|----|----|
| K0785.08010 | K | stainless steel | M10 | 80 | 26 | 37 | 10 | 17 |
| K0785.08012 | K | stainless steel | M12 | 80 | 26 | 37 | 10 | 17 |