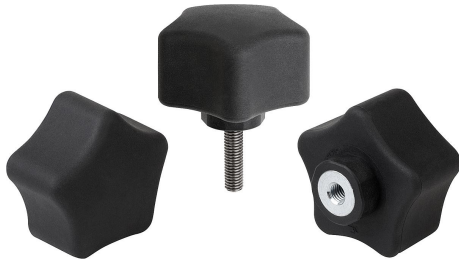


## Five lobe grips ergonomic

### Item description/product images



### Description

#### Material:

Hard components fibreglass reinforced plastic.

Soft components thermoplastic elastomer.

Bush or screw, steel grade 5.8 or stainless steel 1.4305.

#### Version:

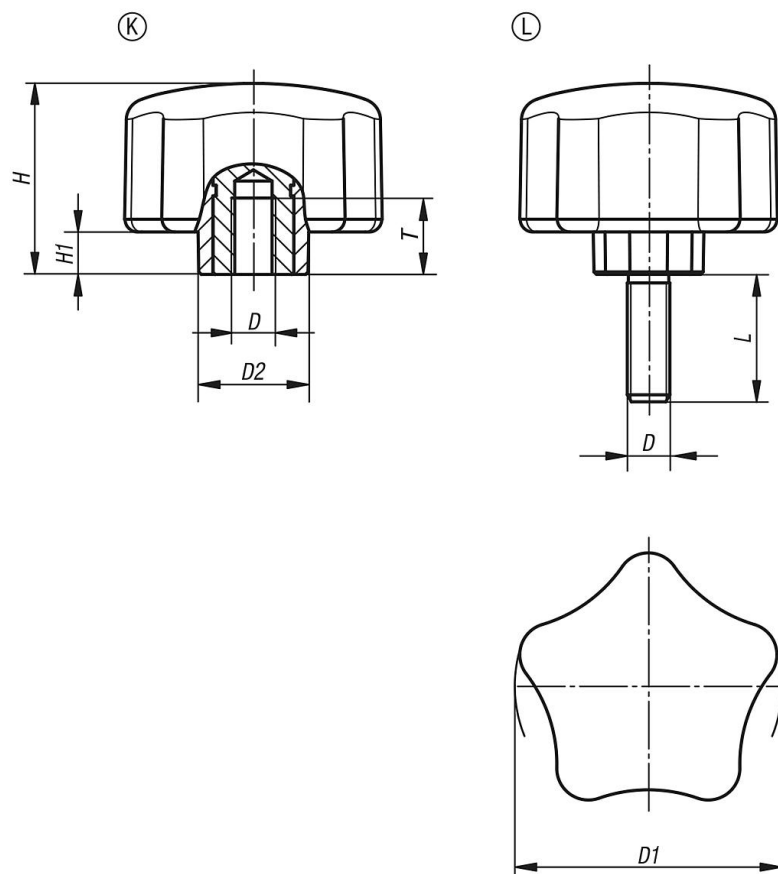
Steel trivalent blue passivated.

Stainless steel, bright.

#### Note:

The colour combination black grey RAL 7021 (hard components) and black grey RAL 7021 (soft components) are supplied as standard.

### Drawings



### Overview of items

#### Five lobe grips ergonomic with internal thread

## Five lobe grips ergonomic

### Overview of items

Order No.	Form	Component material	D	D1	D2	H	H1	T	L
K0786.6308	K	steel	M8	63	26	45	10	17	-
K0786.6310	K	steel	M10	63	26	45	10	17	-
K0786.06308	K	stainless steel	M8	63	26	45	10	17	-
K0786.06310	K	stainless steel	M10	63	26	45	10	17	-
K0786.6308X20	L	steel	M8	63	26	45	10	-	20
K0786.6308X25	L	steel	M8	63	26	45	10	-	25
K0786.6308X30	L	steel	M8	63	26	45	10	-	30
K0786.6308X40	L	steel	M8	63	26	45	10	-	40
K0786.6310X30	L	steel	M10	63	26	45	10	-	30
K0786.6310X50	L	steel	M10	63	26	45	10	-	50
K0786.06308X20	L	stainless steel	M8	63	26	45	10	-	20
K0786.06308X25	L	stainless steel	M8	63	26	45	10	-	25
K0786.06308X40	L	stainless steel	M8	63	26	45	10	-	40
K0786.06310X30	L	stainless steel	M10	63	26	45	10	-	30
K0786.06310X40	L	stainless steel	M10	63	26	45	10	-	40