

# Handwheels DIN 950, aluminium

## Item description/product images



### Description

**Material:**

Handwheel aluminium.

Fixed grip aluminium, centre pin black oxidised steel.

Revolving grip aluminium, centre pin trivalent blue passivated steel.

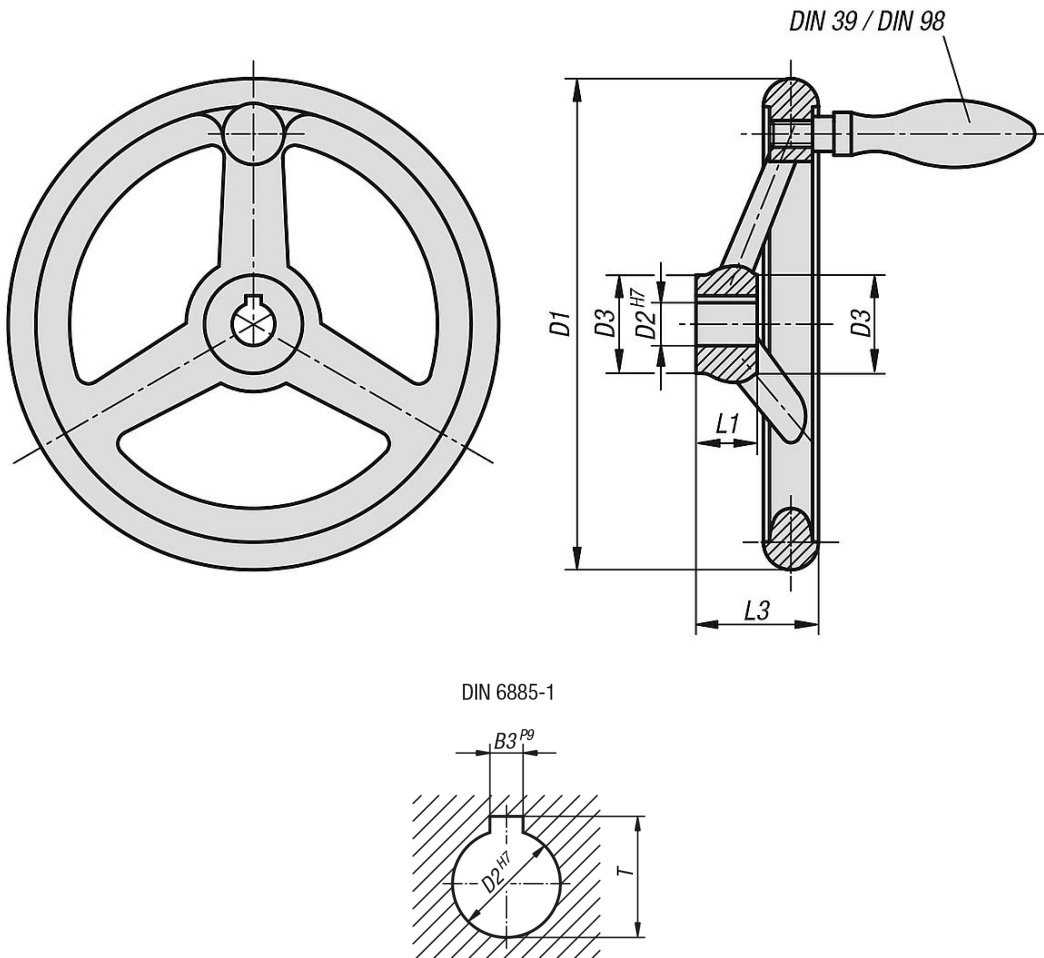
**Version:**

Wheel rim turned and polished.

**On request:**

Hubs with square socket or powder-coated handwheels.

## Drawings



## Overview of items

### Handwheels DIN 950, aluminium

Order No.	Version 1	D1	D2	D3	L1	L3	B3	T	No.of spokes	fixed grip DIN 39 Form E	revolving grip DIN 98 Form E
K0160.0080X10	reamed hole	80	10H7	25	16	29	-	-	3	-	-

## Handwheels DIN 950, aluminium

## Overview of items

Order No.	Version 1	D1	D2	D3	L1	L3	B3	T	No. of spokes	fixed grip DIN 39 Form E	revolving grip DIN 98 Form E
K0160.0080X12	reamed hole	80	12H7	25	16	29	-	-	3	-	-
K0160.0100X10	reamed hole	100	10H7	29	17	33	-	-	3	-	-
K0160.0100X12	reamed hole	100	12H7	29	17	33	-	-	3	-	-
K0160.0125X12	reamed hole	125	12H7	31	18	36	-	-	3	-	-
K0160.0125X14	reamed hole	125	14H7	31	18	36	-	-	3	-	-
K0160.0140X14	reamed hole	140	14H7	36	19	39	-	-	3	-	-
K0160.0140X16	reamed hole	140	16H7	36	19	39	-	-	3	-	-
K0160.0160X14	reamed hole	160	14H7	36	20	40	-	-	3	-	-
K0160.0160X16	reamed hole	160	16H7	36	20	40	-	-	3	-	-
K0160.0180X16	reamed hole	180	16H7	37	22	43	-	-	3	-	-
K0160.0180X18	reamed hole	180	18H7	37	22	43	-	-	3	-	-
K0160.0200X18	reamed hole	200	18H7	43	24	45	-	-	3	-	-
K0160.0200X22	reamed hole	200	22H7	43	24	45	-	-	3	-	-
K0160.0250X22	reamed hole	250	22H7	49	28	50	-	-	5	-	-
K0160.0250X26	reamed hole	250	26H7	49	28	50	-	-	5	-	-
K0160.0315X26	reamed hole	315	26H7	54	33	56	-	-	5	-	-
K0160.0315X30	reamed hole	315	30H7	54	33	56	-	-	5	-	-
K0160.0400X30	reamed hole	400	30H7	65	38	63	-	-	5	-	-
K0160.0400X34	reamed hole	400	34H7	65	38	63	-	-	5	-	-
K0160.0500X34	reamed hole	500	34H7	79	45	72	-	-	5	-	-
K0160.0500X40	reamed hole	500	40H7	79	45	72	-	-	5	-	-
K0160.1080X10	reamed hole with slot	80	10H7	25	16	29	3	11,4	3	-	-
K0160.1080X12	reamed hole with slot	80	12H7	25	16	29	4	13,8	3	-	-
K0160.1100X10	reamed hole with slot	100	10H7	29	17	33	3	11,4	3	-	-
K0160.1100X12	reamed hole with slot	100	12H7	29	17	33	4	13,8	3	-	-
K0160.1125X12	reamed hole with slot	125	12H7	31	18	36	4	13,8	3	-	-
K0160.1125X14	reamed hole with slot	125	14H7	31	18	36	5	16,3	3	-	-
K0160.1140X14	reamed hole with slot	140	14H7	36	19	39	5	16,3	3	-	-
K0160.1140X16	reamed hole with slot	140	16H7	36	19	39	5	18,3	3	-	-
K0160.1160X14	reamed hole with slot	160	14H7	36	20	40	5	16,3	3	-	-
K0160.1160X16	reamed hole with slot	160	16H7	36	20	40	5	18,3	3	-	-
K0160.1180X16	reamed hole with slot	180	16H7	37	22	43	5	18,3	3	-	-
K0160.1180X18	reamed hole with slot	180	18H7	37	22	43	6	20,8	3	-	-
K0160.1200X18	reamed hole with slot	200	18H7	43	24	45	6	20,8	3	-	-
K0160.1200X22	reamed hole with slot	200	22H7	43	24	45	6	24,8	3	-	-
K0160.1250X22	reamed hole with slot	250	22H7	49	28	50	6	24,8	5	-	-
K0160.1250X26	reamed hole with slot	250	26H7	49	28	50	8	29,3	5	-	-
K0160.1315X26	reamed hole with slot	315	26H7	54	33	56	8	29,3	5	-	-
K0160.1315X30	reamed hole with slot	315	30H7	54	33	56	8	33,3	5	-	-
K0160.1400X30	reamed hole with slot	400	30H7	65	38	63	8	33,3	5	-	-
K0160.1400X34	reamed hole with slot	400	34H7	65	38	63	10	37,3	5	-	-
K0160.1500X34	reamed hole with slot	500	34H7	79	45	72	10	37,3	5	-	-
K0160.1500X40	reamed hole with slot	500	40H7	79	45	72	12	43,3	5	-	-
K0160.2080X10	reamed hole	80	10H7	25	16	29	-	-	3	ø16 x M6 x 50	-
K0160.2080X12	reamed hole	80	12H7	25	16	29	-	-	3	ø16 x M6 x 50	-
K0160.2100X10	reamed hole	100	10H7	29	17	33	-	-	3	ø16 x M6 x 50	-
K0160.2100X12	reamed hole	100	12H7	29	17	33	-	-	3	ø16 x M6 x 50	-
K0160.2125X12	reamed hole	125	12H7	31	18	36	-	-	3	ø20 x M8 x 64	-
K0160.2125X14	reamed hole	125	14H7	31	18	36	-	-	3	ø20 x M8 x 64	-
K0160.2140X14	reamed hole	140	14H7	36	19	39	-	-	3	ø20 x M8 x 64	-
K0160.2140X16	reamed hole	140	16H7	36	19	39	-	-	3	ø20 x M8 x 64	-
K0160.2160X14	reamed hole	160	14H7	36	20	40	-	-	3	ø25 x M10 x 80	-
K0160.2160X16	reamed hole	160	16H7	36	20	40	-	-	3	ø25 x M10 x 80	-
K0160.2180X16	reamed hole	180	16H7	37	22	43	-	-	3	ø25 x M10 x 80	-
K0160.2180X18	reamed hole	180	18H7	37	22	43	-	-	3	ø25 x M10 x 80	-
K0160.2200X18	reamed hole	200	18H7	43	24	45	-	-	3	ø25 x M10 x 80	-
K0160.2200X22	reamed hole	200	22H7	43	24	45	-	-	3	ø25 x M10 x 80	-
K0160.2250X22	reamed hole	250	22H7	49	28	50	-	-	5	ø32 x M12 x 100	-
K0160.2250X26	reamed hole	250	26H7	49	28	50	-	-	5	ø32 x M12 x 100	-
K0160.2315X26	reamed hole	315	26H7	54	33	56	-	-	5	ø32 x M12 x 100	-
K0160.2315X30	reamed hole	315	30H7	54	33	56	-	-	5	ø32 x M12 x 100	-

## Handwheels DIN 950, aluminium

## Overview of items

Order No.	Version 1	D1	D2	D3	L1	L3	B3	T	No. of spokes	fixed grip DIN 39 Form E	revolving grip DIN 98 Form E
K0160.2400X30	reamed hole	400	30H7	65	38	63	-	-	5	ø36 x M16 x 112	-
K0160.2400X34	reamed hole	400	34H7	65	38	63	-	-	5	ø36 x M16 x 112	-
K0160.2500X34	reamed hole	500	34H7	79	45	72	-	-	5	ø36 x M16 x 112	-
K0160.2500X40	reamed hole	500	40H7	79	45	72	-	-	5	ø36 x M16 x 112	-
K0160.3080X10	reamed hole with slot	80	10H7	25	16	29	3	11,4	3	ø16 x M6 x 50	-
K0160.3080X12	reamed hole with slot	80	12H7	25	16	29	4	13,8	3	ø16 x M6 x 50	-
K0160.3100X10	reamed hole with slot	100	10H7	29	17	33	3	11,4	3	ø16 x M6 x 50	-
K0160.3100X12	reamed hole with slot	100	12H7	29	17	33	4	13,8	3	ø16 x M6 x 50	-
K0160.3125X12	reamed hole with slot	125	12H7	31	18	36	4	13,8	3	ø20 x M8 x 64	-
K0160.3125X14	reamed hole with slot	125	14H7	31	18	36	5	16,3	3	ø20 x M8 x 64	-
K0160.3140X14	reamed hole with slot	140	14H7	36	19	39	5	16,3	3	ø20 x M8 x 64	-
K0160.3140X16	reamed hole with slot	140	16H7	36	19	39	5	18,3	3	ø20 x M8 x 64	-
K0160.3160X14	reamed hole with slot	160	14H7	36	20	40	5	16,3	3	ø25 x M10 x 80	-
K0160.3160X16	reamed hole with slot	160	16H7	36	20	40	5	18,3	3	ø25 x M10 x 80	-
K0160.3180X16	reamed hole with slot	180	16H7	37	22	43	5	18,3	3	ø25 x M10 x 80	-
K0160.3180X18	reamed hole with slot	180	18H7	37	22	43	6	20,8	3	ø25 x M10 x 80	-
K0160.3200X18	reamed hole with slot	200	18H7	43	24	45	6	20,8	3	ø25 x M10 x 80	-
K0160.3200X22	reamed hole with slot	200	22H7	43	24	45	6	24,8	3	ø25 x M10 x 80	-
K0160.3250X22	reamed hole with slot	250	22H7	49	28	50	6	24,8	5	ø32 x M12 x 100	-
K0160.3250X26	reamed hole with slot	250	26H7	49	28	50	8	29,3	5	ø32 x M12 x 100	-
K0160.3315X26	reamed hole with slot	315	26H7	54	33	56	8	29,3	5	ø32 x M12 x 100	-
K0160.3315X30	reamed hole with slot	315	30H7	54	33	56	8	33,3	5	ø32 x M12 x 100	-
K0160.3400X30	reamed hole with slot	400	30H7	65	38	63	8	33,3	5	ø36 x M16 x 112	-
K0160.3400X34	reamed hole with slot	400	34H7	65	38	63	10	37,3	5	ø36 x M16 x 112	-
K0160.3500X34	reamed hole with slot	500	34H7	79	45	72	10	37,3	5	ø36 x M16 x 112	-
K0160.3500X40	reamed hole with slot	500	40H7	79	45	72	12	43,3	5	ø36 x M16 x 112	-
K0160.4080X10	reamed hole	80	10H7	25	16	29	-	-	3	-	ø16 x M6 x 54,5
K0160.4080X12	reamed hole	80	12H7	25	16	29	-	-	3	-	ø16 x M6 x 54,5
K0160.4100X10	reamed hole	100	10H7	29	17	33	-	-	3	-	ø16 x M6 x 54,5
K0160.4100X12	reamed hole	100	12H7	29	17	33	-	-	3	-	ø16 x M6 x 54,5
K0160.4125X12	reamed hole	125	12H7	31	18	36	-	-	3	-	ø20 x M8 x 67
K0160.4125X14	reamed hole	125	14H7	31	18	36	-	-	3	-	ø20 x M8 x 67
K0160.4140X14	reamed hole	140	14H7	36	19	39	-	-	3	-	ø20 x M8 x 67
K0160.4140X16	reamed hole	140	16H7	36	19	39	-	-	3	-	ø20 x M8 x 67
K0160.4160X14	reamed hole	160	14H7	36	20	40	-	-	3	-	ø25 x M10 x 83
K0160.4160X16	reamed hole	160	16H7	36	20	40	-	-	3	-	ø25 x M10 x 83
K0160.4180X16	reamed hole	180	16H7	37	22	43	-	-	3	-	ø25 x M10 x 83
K0160.4180X18	reamed hole	180	18H7	37	22	43	-	-	3	-	ø25 x M10 x 83
K0160.4200X18	reamed hole	200	18H7	43	24	45	-	-	3	-	ø25 x M10 x 83
K0160.4200X22	reamed hole	200	22H7	43	24	45	-	-	3	-	ø25 x M10 x 83
K0160.4250X22	reamed hole	250	22H7	49	28	50	-	-	5	-	ø32 x M12 x 105,5
K0160.4250X26	reamed hole	250	26H7	49	28	50	-	-	5	-	ø32 x M12 x 105,5
K0160.4315X26	reamed hole	315	26H7	54	33	56	-	-	5	-	ø32 x M12 x 105,5
K0160.4315X30	reamed hole	315	30H7	54	33	56	-	-	5	-	ø32 x M12 x 105,5
K0160.4400X30	reamed hole	400	30H7	65	38	63	-	-	5	-	ø36 x M16 x 117
K0160.4400X34	reamed hole	400	34H7	65	38	63	-	-	5	-	ø36 x M16 x 117
K0160.4500X34	reamed hole	500	34H7	79	45	72	-	-	5	-	ø36 x M16 x 117
K0160.4500X40	reamed hole	500	40H7	79	45	72	-	-	5	-	ø36 x M16 x 117
K0160.5080X10	reamed hole with slot	80	10H7	25	16	29	3	11,4	3	-	ø16 x M6 x 54,5
K0160.5080X12	reamed hole with slot	80	12H7	25	16	29	4	13,8	3	-	ø16 x M6 x 54,5
K0160.5100X10	reamed hole with slot	100	10H7	29	17	33	3	11,4	3	-	ø16 x M6 x 54,5
K0160.5100X12	reamed hole with slot	100	12H7	29	17	33	4	13,8	3	-	ø16 x M6 x 54,5
K0160.5125X12	reamed hole with slot	125	12H7	31	18	36	4	13,8	3	-	ø20 x M8 x 67
K0160.5125X14	reamed hole with slot	125	14H7	31	18	36	5	16,3	3	-	ø20 x M8 x 67
K0160.5140X14	reamed hole with slot	140	14H7	36	19	39	5	16,3	3	-	ø20 x M8 x 67
K0160.5140X16	reamed hole with slot	140	16H7	36	19	39	5	18,3	3	-	ø20 x M8 x 67
K0160.5160X14	reamed hole with slot	160	14H7	36	20	40	5	16,3	3	-	ø25 x M10 x 83
K0160.5160X16	reamed hole with slot	160	16H7	36	20	40	5	18,3	3	-	ø25 x M10 x 83
K0160.5180X16	reamed hole with slot	180	16H7	37	22	43	5	18,3	3	-	ø25 x M10 x 83
K0160.5180X18	reamed hole with slot	180	18H7	37	22	43	6	20,8	3	-	ø25 x M10 x 83
K0160.5200X18	reamed hole with slot	200	18H7	43	24	45	6	20,8	3	-	ø25 x M10 x 83

## Handwheels DIN 950, aluminium

### Overview of items

Order No.	Version 1	D1	D2	D3	L1	L3	B3	T	No.of spokes	fixed grip DIN 39 Form E	revolving grip DIN 98 Form E
<b>K0160.5200X22</b>	reamed hole with slot	200	22H7	43	24	45	6	24,8	3	-	ø25 x M10 x 83
<b>K0160.5250X22</b>	reamed hole with slot	250	22H7	49	28	50	6	24,8	5	-	ø32 x M12 x 105,5
<b>K0160.5250X26</b>	reamed hole with slot	250	26H7	49	28	50	8	29,3	5	-	ø32 x M12 x 105,5
<b>K0160.5315X26</b>	reamed hole with slot	315	26H7	54	33	56	8	29,3	5	-	ø32 x M12 x 105,5
<b>K0160.5315X30</b>	reamed hole with slot	315	30H7	54	33	56	8	33,3	5	-	ø32 x M12 x 105,5
<b>K0160.5400X30</b>	reamed hole with slot	400	30H7	65	38	63	8	33,3	5	-	ø36 x M16 x 117
<b>K0160.5400X34</b>	reamed hole with slot	400	34H7	65	38	63	10	37,3	5	-	ø36 x M16 x 117
<b>K0160.5500X34</b>	reamed hole with slot	500	34H7	79	45	72	10	37,3	5	-	ø36 x M16 x 117
<b>K0160.5500X40</b>	reamed hole with slot	500	40H7	79	45	72	12	43,3	5	-	ø36 x M16 x 117