

Ball knobs DIN 319 Form K

Item description/product images



Description

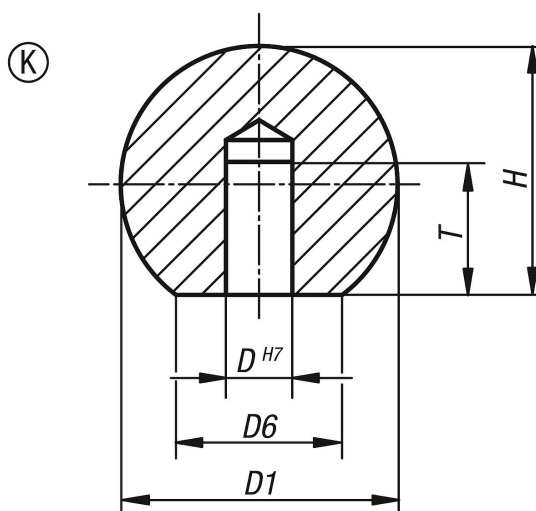
Material:

Stainless steel 1.4301 or aluminium.

Version:

Polished.

Drawings



Overview of items

Order No.	Form	Form definition	Main material	Steel code	D	D1	D6	H	T
K0650.316043	K	with reamed hole	stainless steel	1.4301	6	16	8	15	10
K0650.320053	K	with reamed hole	stainless steel	1.4301	8	20	12	18	12
K0650.325063	K	with reamed hole	stainless steel	1.4301	10	25	15	22,5	16
K0650.332083	K	with reamed hole	stainless steel	1.4301	12	32	18	29	20
K0650.340103	K	with reamed hole	stainless steel	1.4301	16	40	22	37	25
K0650.350123	K	with reamed hole	stainless steel	1.4301	20	50	28	46	32
K0650.316042	K	with reamed hole	aluminium	-	6	16	8	15	10
K0650.320052	K	with reamed hole	aluminium	-	8	20	12	18	12
K0650.325062	K	with reamed hole	aluminium	-	10	25	15	22,5	16
K0650.332082	K	with reamed hole	aluminium	-	12	32	18	29	20
K0650.340102	K	with reamed hole	aluminium	-	16	40	22	37	25
K0650.350122	K	with reamed hole	aluminium	-	20	50	28	46	32