

## Push-Pull spring plungers with rotation lock Form K

### Item description/product images



### Description

**Material:**

Steel.

**Version:**

Threaded sleeve trivalent blue passivated.

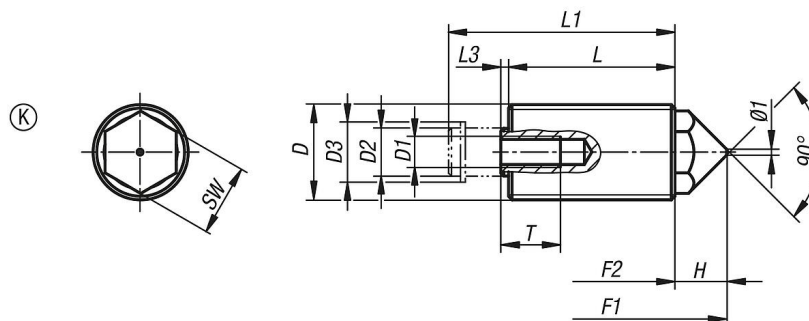
Screw case hardened and black oxidised.

Spring strength - standard or intensified.

**Note:**

The push-pull spring plungers, also called two-way spring plungers are used to engage, position or clamp various components. The hexagonal tapped pin which cannot rotate can be used for traction or thrust.

### Drawings



### Overview of items

Order No.	Form	Spring strength	D	SW	D1	D2	D3	F1 N	F2 N	H	L	L1	L3	T min.
K0977.3112	K	standard	M12X1,5	8	M4	5,5	6,78	16	38	6,12	20	27,5	1,38	8
K0977.3116	K	standard	M16x1,5	11	M5	8	10	25	71	8,7	28	38	1,3	10
K0977.3120	K	standard	M20X1,5	14	M6	10	12,2	40	140	10,3	34	47	2,7	12
K0977.3212	K	intensified	M12X1,5	8	M4	5,5	6,78	20	60	6,12	20	27,5	1,38	8
K0977.3216	K	intensified	M16x1,5	11	M5	8	10	35	103	8,7	28	38	1,3	10
K0977.3220	K	intensified	M20X1,5	14	M6	10	12,2	60	175	10,3	34	47	2,7	12