

# Palm grips similar to DIN 6335, aluminium, Form E, blind tapped hole

## Item description/product images

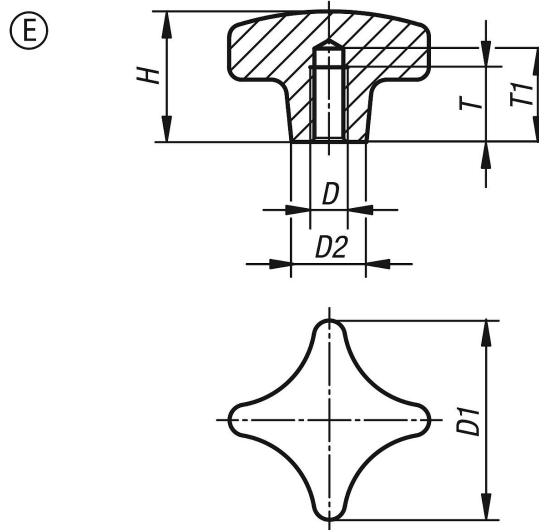


## Description

**Material:**  
Aluminium.

**Version:**  
Tumbled or ground and polished.

## Drawings



## Overview of items

Order No.	Form	Finish	D	D1	D2	H	T	T1
K0145.504008	E	tumbled	M8	40	14	25	15	18
K0145.505010	E	tumbled	M10	50	18	32	18	21
K0145.506312	E	tumbled	M12	63	25	40	22	25
K0145.508016	E	tumbled	M16	80	25	50	28	32
K0145.5040082	E	polished	M8	40	14	25	15	18
K0145.5050102	E	polished	M10	50	18	32	18	21
K0145.5063122	E	polished	M12	63	25	40	22	25
K0145.5080162	E	polished	M16	80	25	50	28	32