

Palm grips similar to DIN 6335, aluminium, Form C, blind hole

Item description/product images



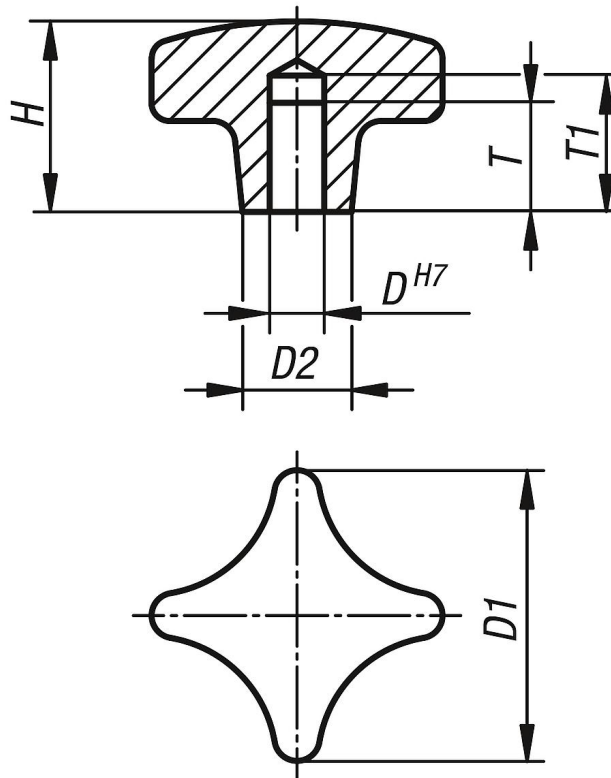
Description

Material:
Aluminium.

Version:
Tumbled or ground and polished.

Drawings

Ⓒ



Overview of items

Order No.	Form	Finish	D	D1	D2	H	T	T1
K0145.3080162	C	polished	16	80	25	50	28	32
K0145.3040082	C	polished	8	40	14	25	15	18
K0145.3050102	C	polished	10	50	18	32	18	21
K0145.3063122	C	polished	12	63	25	40	22	25
K0145.305010	C	tumbled	10	50	18	32	18	21
K0145.306312	C	tumbled	12	63	25	40	22	25
K0145.304008	C	tumbled	8	40	14	25	15	18
K0145.308016	C	tumbled	16	80	25	50	28	32