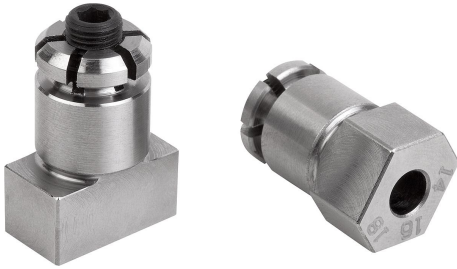


# Locating pins expanding

## Item description/product images



### Description

**Material:**  
Carbon steel.

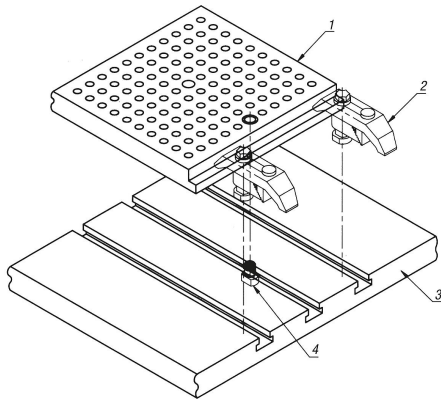
**Version:**  
Tempered and black oxidised.  
Locating diameter and guide faces ground.

### Note:

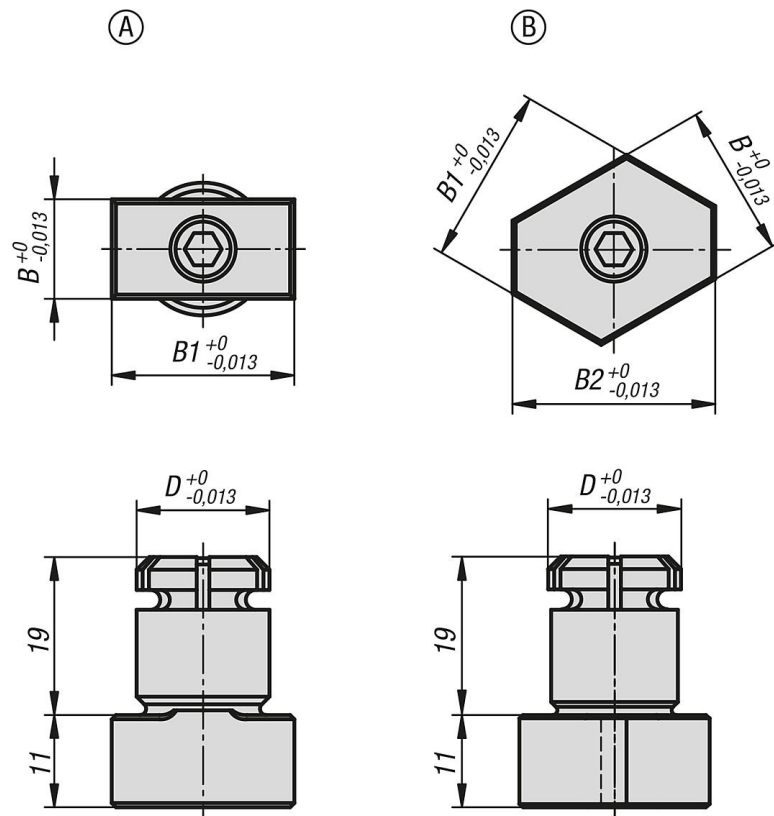
These expanding locating pins enable e.g. tooling plates to be positioned in the T-slots of machine tables (see illustration). The plates to be positioned must have two holes matching the expanding pin diameter. The expansion screw has a broached through hexagonal hole allowing the pin to be tightened or loosened from two sides.

### Drawing reference:

- 1) tooling plate
- 2) clamp straps
- 3) machine table
- 4) expanding locating pin



## Drawings



## Overview of items

## Locating pins expanding

### Overview of items

---

#### Locating pins, expanding

Order No.	Form	D	B	B1	B2	Recommended $\emptyset$
K0356.1610	A	16	10	20	-	16,01 $\pm$ 0,01
K0356.1612	A	16	12	22	-	16,01 $\pm$ 0,01
K0356.1614	B	16	14	16	18	16,01 $\pm$ 0,01
K0356.2024	B	20	24	28	32	20,01 $\pm$ 0,01