

## Clamping grips ergonomic

### Item description/product images



### Description

#### Material:

Hard components fibreglass reinforced plastic.  
Soft components thermoplastic elastomer.  
Bush or screw, steel grade 5.8 or stainless steel 1.4305.

#### Version:

Steel trivalent blue passivated.  
Stainless steel, bright.

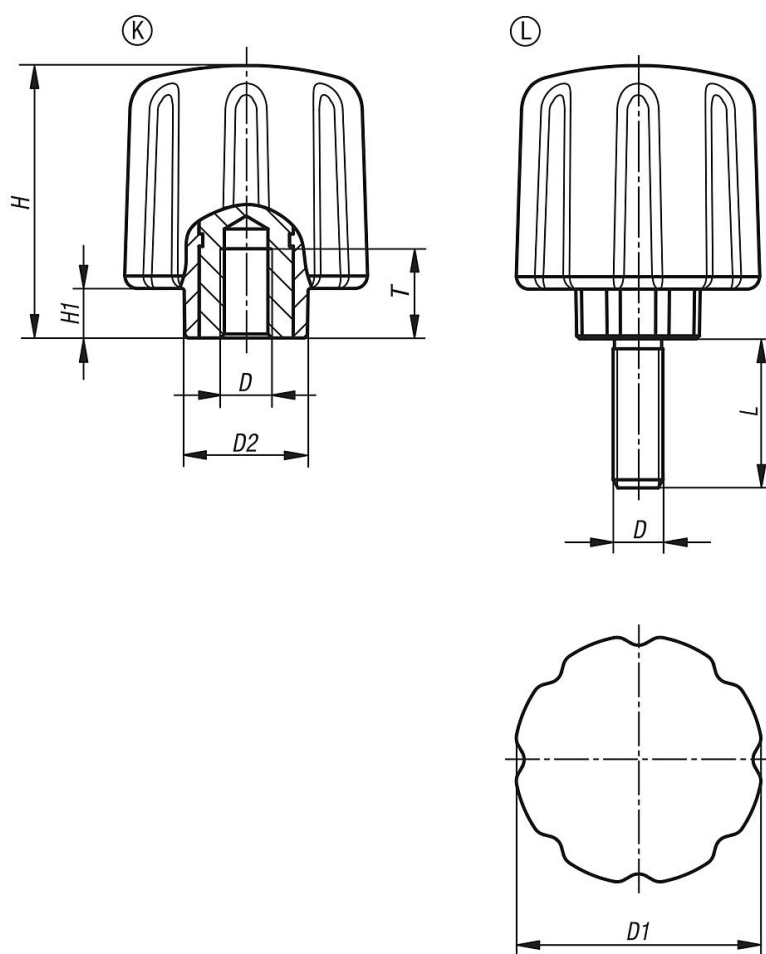
#### Note:

The colour combination  
black grey RAL 7021 (hard components) and  
black grey RAL 7021 (soft components)  
are supplied as standard.

#### On request:

Other versions.

### Drawings



## Clamping grips ergonomic

### Overview of items

#### Clamping grips ergonomic with internal thread

Order No.	Form	Component material	D	D1	D2	H	H1	T	L
K0779.5006	K	steel	M6	50	26	55	10	17	-
K0779.5008	K	steel	M8	50	26	55	10	17	-
K0779.5010	K	steel	M10	50	26	55	10	17	-
K0779.05006	K	stainless steel	M6	50	26	55	10	17	-
K0779.05008	K	stainless steel	M8	50	26	55	10	17	-
K0779.05010	K	stainless steel	M10	50	26	55	10	17	-
K0779.5006X15	L	steel	M6	50	26	55	10	-	15
K0779.5006X20	L	steel	M6	50	26	55	10	-	20
K0779.5006X25	L	steel	M6	50	26	55	10	-	25
K0779.5006X30	L	steel	M6	50	26	55	10	-	30
K0779.5008X20	L	steel	M8	50	26	55	10	-	20
K0779.5008X25	L	steel	M8	50	26	55	10	-	25
K0779.5008X30	L	steel	M8	50	26	55	10	-	30
K0779.5008X40	L	steel	M8	50	26	55	10	-	40
K0779.5010X30	L	steel	M10	50	26	55	10	-	30
K0779.5010X40	L	steel	M10	50	26	55	10	-	40
K0779.5010X50	L	steel	M10	50	26	55	10	-	50
K0779.05006X15	L	stainless steel	M6	50	26	55	10	-	15
K0779.05006X20	L	stainless steel	M6	50	26	55	10	-	20
K0779.05006X25	L	stainless steel	M6	50	26	55	10	-	25
K0779.05006X30	L	stainless steel	M6	50	26	55	10	-	30
K0779.05008X20	L	stainless steel	M8	50	26	55	10	-	20
K0779.05008X25	L	stainless steel	M8	50	26	55	10	-	25
K0779.05008X30	L	stainless steel	M8	50	26	55	10	-	30
K0779.05008X40	L	stainless steel	M8	50	26	55	10	-	40
K0779.05010X30	L	stainless steel	M10	50	26	55	10	-	30
K0779.05010X40	L	stainless steel	M10	50	26	55	10	-	40
K0779.05010X50	L	stainless steel	M10	50	26	55	10	-	50