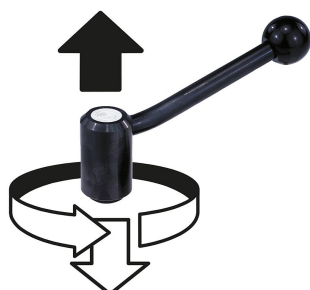


# Tension Levers in stainless steel with internal thread, 0 degrees

## Item description/product images



lift to  
disengage



## Description

### Material:

Steel parts stainless steel 1.4305.

Ball knob black plastic.

### Version:

Stainless steel parts bright.

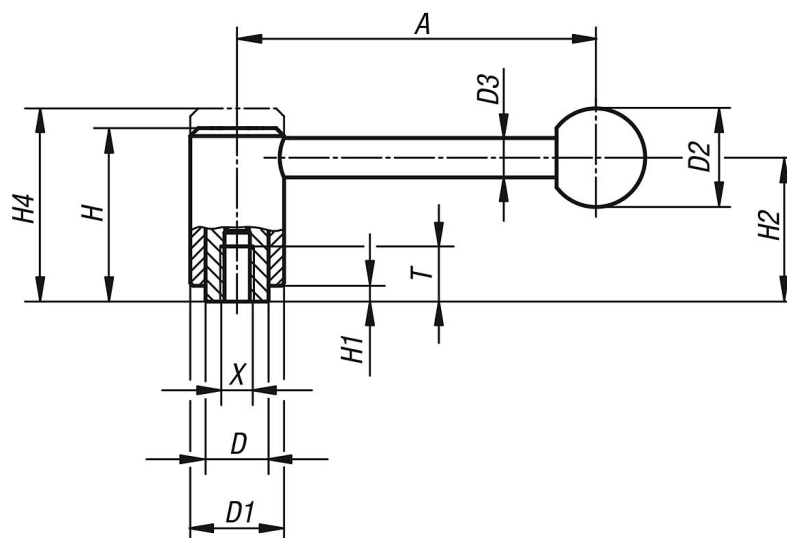
Ball knob polished.

### Note:

Other female threads and special versions.

Dimensions "H1" and "A" available in other lengths at extra charge.

## Drawings



## Overview of items

Order No.	Form	X	T	A=Handle length	D	D1	D2	D3	H	H1	H2	H4	No. of teeth
K0109.1082	0°	M8	14	92	16	24	25	10	44,5	4,5	37	49,5	22
K0109.1102	0°	M10	14	92	16	24	25	10	44,5	4,5	37	49,5	22
K0109.2102	0°	M10	17	111	19	28	32	12	51,5	5,5	42	57,5	24
K0109.2122	0°	M12	17	111	19	28	32	12	51,5	5,5	42	57,5	24

## Tension Levers in stainless steel with internal thread, 0 degrees

### Overview of items

Order No.	Form	X	T	A=Handle length	D	D1	D2	D3	H	H1	H2	H4	No. of teeth
<b>K0109.3122</b>	0°	M12	23	134,5	23	33	32	13	58	6	47	65	26
<b>K0109.3162</b>	0°	M16	23	134,5	23	33	32	13	58	6	47	65	26
<b>K0109.4162</b>	0°	M16	27	134	30	41	32	13	68,5	7,5	56,5	76,5	36
<b>K0109.4202</b>	0°	M20	27	134	30	41	32	13	68,5	7,5	56,5	76,5	36