

## Jaw adapters for round workpieces

### Item description/product images



### Description

**Material:**

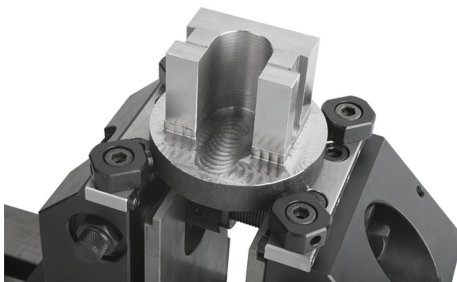
Jaw adapters Q&T steel.  
Cap screw steel.

**Version:**

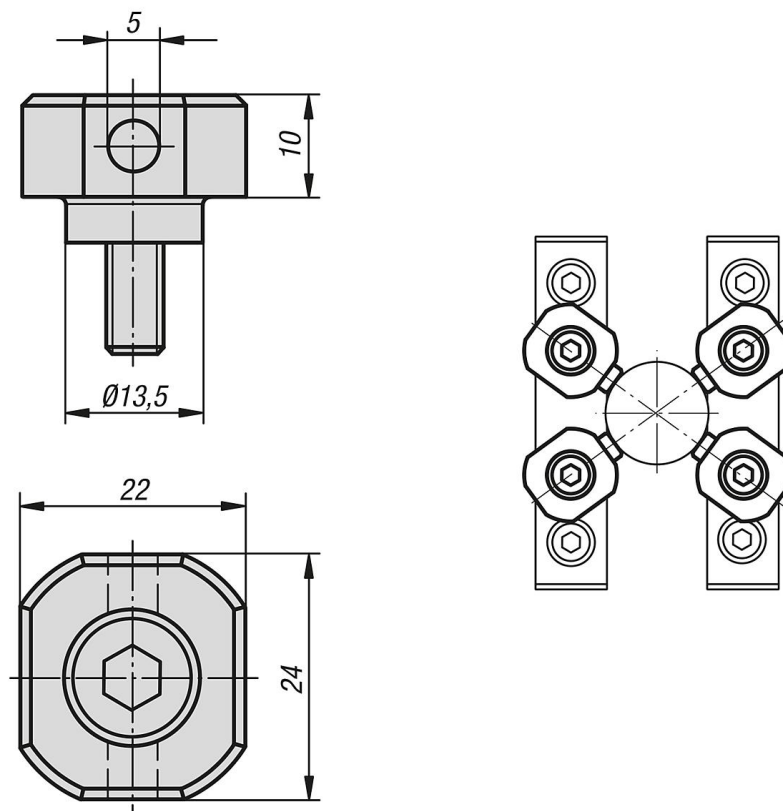
Jaw adapters black oxidised.  
Cap screw, grade 10.9.

**Note:**

For clamping round workpieces with a diameter of 30–200 mm. Screwed directly into the standard or machinable jaw plates.



### Drawings



### Overview of items

## Jaw adapters for round workpieces

### Overview of items

---

#### Jaw adapters for round workpieces

Order No.	Suitable for
K0945.135010	All 3-axis and 5-axis clamping systems