

## Clamping levers 2K with internal thread, threaded insert black oxidised steel

Item description/product images



lift to  
disengage



### Description

#### Material:

Handle:

Hard component fibreglass reinforced plastic with die-cast zinc toothed ring.  
Soft component Thermoflex based on SEBS.

Steel parts: grade 5.8.

#### Version:

Steel parts black oxidised.

#### Note:

The hard and soft components are supplied in black grey RAL 7021 as standard.

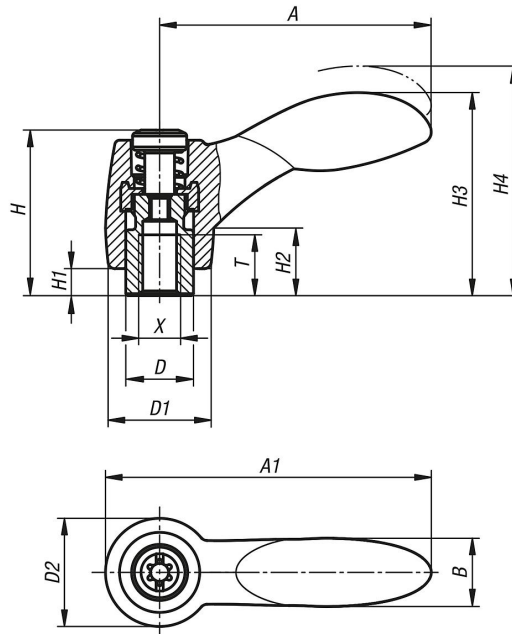
#### On request:

Other female threads, colour combinations and special versions.

Dimension "H1" available in other lengths on request at extra charge.

**Clamping levers 2K with internal thread, threaded insert black oxidised steel**

Drawings



**Overview of items**

Order No.	Component material	X	T	D	D1	D2	H	H1	H2	H3	H4	A	A1	B	No. of teeth
<b>K0125.10401</b>	steel	M4	9	10	15	16	24,5	4	10	30	33,5	40,1	48,1	10,1	16
<b>K0125.10501</b>	steel	M5	9	10	15	16	24,5	4	10	30	33,5	40,1	48,1	10,1	16
<b>K0125.10601</b>	steel	M6	9	10	15	16	24,5	4	10	30	33,5	40,1	48,1	10,1	16
<b>K0125.20601</b>	steel	M6	12	13,5	17,5	19	28,5	6,5	12,5	41,2	45,2	64,9	74,4	17,6	20
<b>K0125.20801</b>	steel	M8	12	13,5	17,5	19	28,5	6,5	12,5	41,2	45,2	64,9	74,4	17,6	20
<b>K0125.30801</b>	steel	M8	14	16	21	22	37	10	17	51,6	56,1	80,2	91,2	20,7	22
<b>K0125.31001</b>	steel	M10	14	16	21	22	37	10	17	51,6	56,1	80,2	91,2	20,7	22