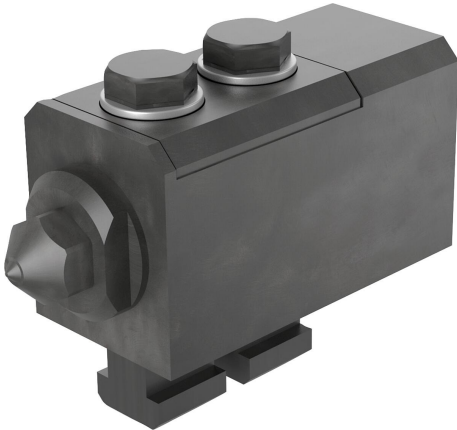


Side clamps, steel with clamping point

Item description/product images



Description

Material:
Carbon steel.

Version:
Black oxidised.

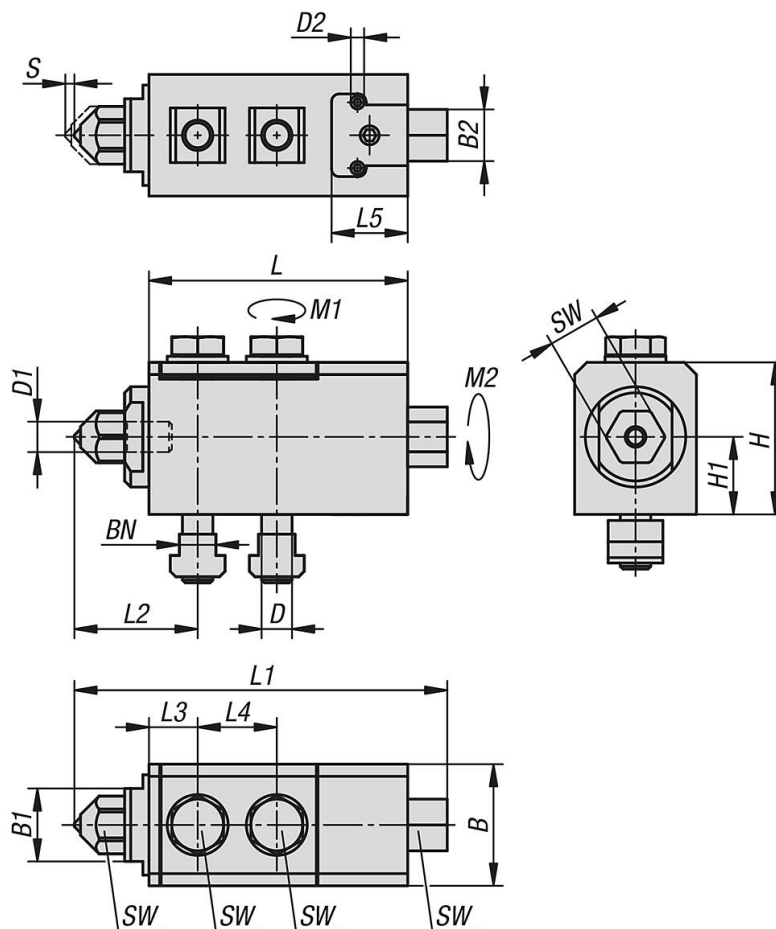
Note:
This mechanical side clamp which has no draw-down effect can be used as a clamping or stop element.

ISO 4014 (10.9) fastening bolts and DIN 508 T-slot nuts are supplied.

Advantages:

- Compact construction
- Can be used horizontally or vertically
- Replaceable thrust screw

Drawings



Overview of items

Side clamps, steel with clamping point

Overview of items

Side clamps, steel with clamping point

Order No.	Size	B	B1	B2	D	D1	D2	H	H1	Travel S	L	L1 min.	L1 max.	L2 min.	L2 max.	L3	L4	L5	F kN	Slot width	SW	Tightening torque M1 Nm	Tightening torque M2 Nm
K2117.14	14	40	24	20	M10	M10	M6	50	25,5	4	85	122,5	126,5	40,5	44,5	16	26	25	14	12	17	67	45
K2117.20	20	47,5	27	20	M12	M12	M6	56	27,5	6	98	139	146	43,7	50,4	18,2	30	25	20	14	19	83	60
K2117.30	30	67	36	20	M16	M16	M6	71,5	34	10	134	189,5	199,5	60,5	70,5	26,5	36	32	30	18	24	205	125