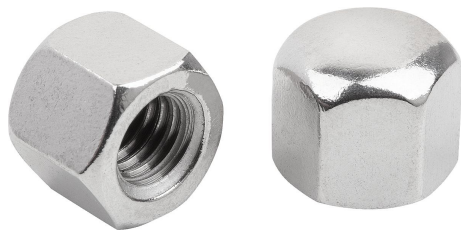


## Hex cap nut, low style DIN 917 steel or stainless steel

### Item description/product images



### Description

#### Material:

Steel, stainless steel A2 or stainless steel A4.

#### Version:

Steel grade 6, bright or electro zinc-plated

Stainless steel A2-70, bright

Stainless steel A4-70, bright

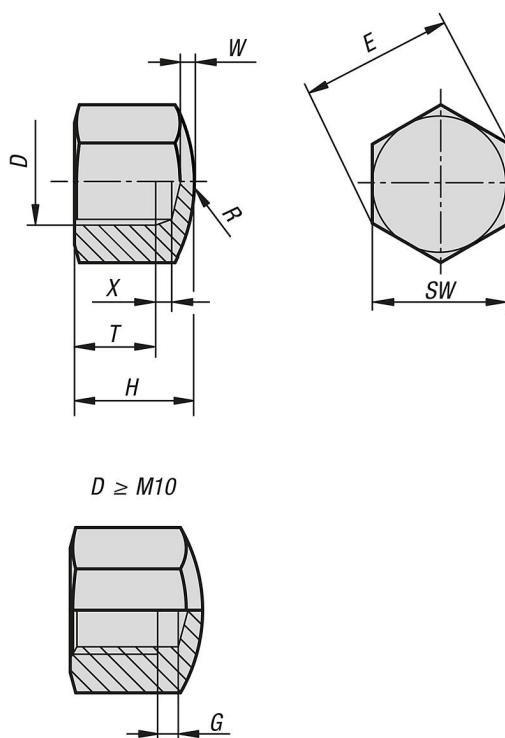
#### Note:

Cap nuts are mainly used for decorative screw connections. The cap nut covers and protects the thread end. They are also used to protect against sharp edges on machines, equipment, fitness equipment and wherever people or objects could be injured or damaged by an exposed thread end.

#### Technical data:

From size  $D = M10$  the cap nuts have a DIN 76-1 Form D thread undercut.

### Drawings



### Overview of items

#### Hex cap nut, low style DIN 917 steel or stainless steel

Order No.	Main material	Surface finish body	D	T min.	H	SW	E	R	W	X	G
K1801.104	steel	bright	M4	4,16	5,5	7	7,66	8	1	1,05	-
K1801.105	steel	bright	M5	4,96	7	8	8,79	10	1	1,2	-
K1801.106	steel	bright	M6	6,71	9	10	11,05	12	1,5	1,5	-
K1801.108	steel	bright	M8	9,21	12	13	14,38	15	2	1,87	-

## Hex cap nut, low style DIN 917 steel or stainless steel

## Overview of items

Order No.	Main material	Surface finish body	D	T min.	H	SW	E	R	W	X	G
K1801.110	steel	bright	M10	10,65	14	17	18,9	20	2	-	2,25
K1801.112	steel	bright	M12	13,15	16	19	21,1	25	2	-	6,4
K1801.116	steel	bright	M16	16,65	20	24	26,76	30	2	-	7,3
K1801.120	steel	bright	M20	20,58	25	30	32,95	35	2,5	-	9,3
K1801.124	steel	bright	M24	23,58	30	36	39,6	40	3	-	10,7
K1801.130	steel	bright	M30	27,58	34	46	50,9	60	3	-	12,7
K1801.204	steel	galvanised	M4	4,16	5,5	7	7,66	8	1	1,05	-
K1801.205	steel	galvanised	M5	4,96	7	8	8,79	10	1	1,2	-
K1801.206	steel	galvanised	M6	6,71	9	10	11,05	12	1,5	1,5	-
K1801.208	steel	galvanised	M8	9,21	12	13	14,38	15	2	1,87	-
K1801.210	steel	galvanised	M10	10,65	14	17	18,9	20	2	-	2,25
K1801.212	steel	galvanised	M12	13,15	16	19	21,1	25	2	-	6,4
K1801.216	steel	galvanised	M16	16,65	20	24	26,76	30	2	-	7,3
K1801.220	steel	galvanised	M20	20,58	25	30	32,95	35	2,5	-	9,3
K1801.224	steel	galvanised	M24	23,58	30	36	39,6	40	3	-	10,7
K1801.230	steel	galvanised	M30	27,58	34	46	50,9	60	3	-	12,7
K1801.304	stainless steel A2	bright	M4	4,16	5,5	7	7,66	8	1	1,05	-
K1801.305	stainless steel A2	bright	M5	4,96	7	8	8,79	10	1	1,2	-
K1801.306	stainless steel A2	bright	M6	6,71	9	10	11,05	12	1,5	1,5	-
K1801.308	stainless steel A2	bright	M8	9,21	12	13	14,38	15	2	1,87	-
K1801.310	stainless steel A2	bright	M10	10,65	14	17	18,9	20	2	-	2,25
K1801.312	stainless steel A2	bright	M12	13,15	16	19	21,1	25	2	-	6,4
K1801.316	stainless steel A2	bright	M16	16,65	20	24	26,76	30	2	-	7,3
K1801.320	stainless steel A2	bright	M20	20,58	25	30	32,95	35	2,5	-	9,3
K1801.324	stainless steel A2	bright	M24	23,58	30	36	39,6	40	3	-	10,7
K1801.330	stainless steel A2	bright	M30	27,58	34	46	50,9	60	3	-	12,7
K1801.404	stainless steel A4	bright	M4	4,16	5,5	7	7,66	8	1	1,05	-
K1801.405	stainless steel A4	bright	M5	4,96	7	8	8,79	10	1	1,2	-
K1801.406	stainless steel A4	bright	M6	6,71	9	10	11,05	12	1,5	1,5	-
K1801.408	stainless steel A4	bright	M8	9,21	12	13	14,38	15	2	1,87	-
K1801.410	stainless steel A4	bright	M10	10,65	14	17	18,9	20	2	-	2,25
K1801.412	stainless steel A4	bright	M12	13,15	16	19	21,1	25	2	-	6,4
K1801.416	stainless steel A4	bright	M16	16,65	20	24	26,76	30	2	-	7,3
K1801.420	stainless steel A4	bright	M20	20,58	25	30	32,95	35	2,5	-	9,3