

## Lock bottom parts for quarter turn latches

### Item description/product images



### Description

**Material:**  
Die-cast zinc.

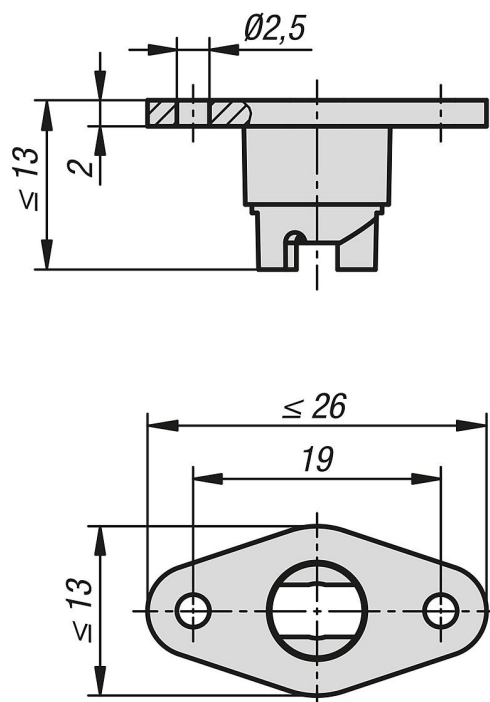
**Version:**  
nickel-plated.

**Note:**  
The lock bottom part can be either screwed or riveted to the frame.

**Accessory:**  
Quarter turn latches K1730.

## Lock bottom parts for quarter turn latches

### Drawings



### Overview of items

#### Lock bottom parts for quarter turn latches

Order No.	Item	for Art. No.
K1732.06	Lock bottom part	K1730