

Wheels aluminium rims with injection-moulded tread

Item description/product images



Description

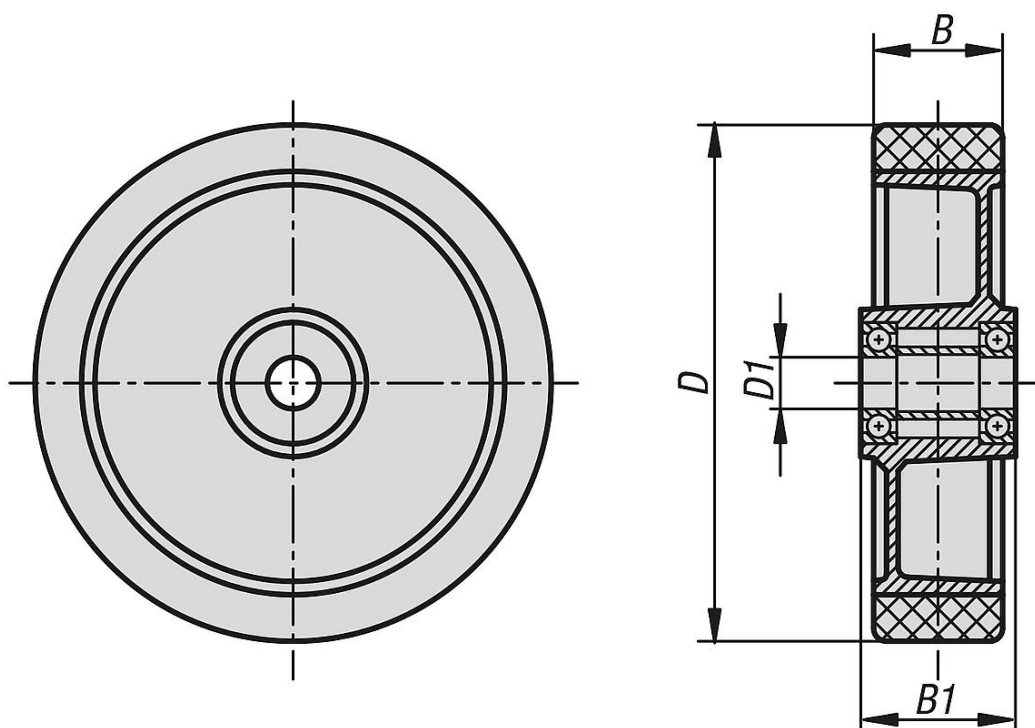
Material:

Wheel rim die-cast aluminium.
Tread Extrathane®.

Note:

These wheels are elastic, abrasion-resistant, gentle to floors, low-noise and have low roll resistance.
Suitable as replacement rollers for castors K1767.

Drawings



Overview of items

Wheels aluminium rims with injection-moulded tread

Order No.	Wheel bearing	D	D1	B	B1	Permissible load kg
K1780.10040	ball bearing	100	15	40	45	250
K1780.12540	ball bearing	125	15	40	45	350
K1780.16050	ball bearing	160	20	50	60	550
K1780.18050	ball bearing	180	20	50	60	600
K1780.20050	ball bearing	200	20	50	60	800

