

Swivel and fixed castors heavy-duty version

Item description/product images



Description

Material:

Housing thick steel plate.

Tyres steel-wire reinforced elastic solid rubber.

Wheel body welded steel.

Version:

Housing press formed.

Reinforced fork, base plate and centre pin.

Double ball bearing with hardened shells in the castor head.

Precision ball bearings in the wheels.

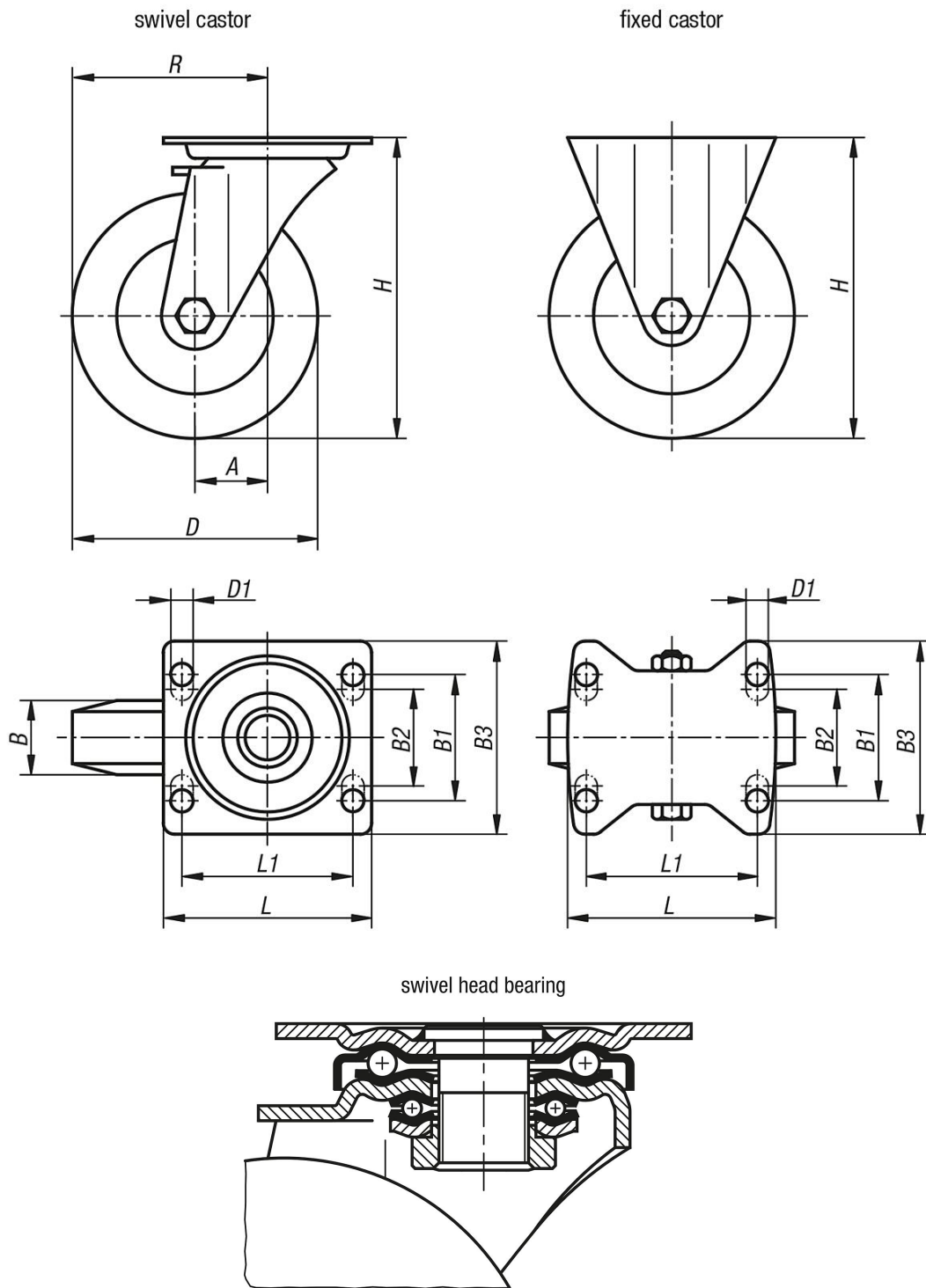
Note:

These castors are particularly impact and shock proof and assure a high service life.

Wheel axle bolted.

Swivel and fixed castors heavy-duty version

Drawings



Overview of items

Swivel and fixed castors heavy-duty version

Order No.	Item	Version 1	Wheel bearing	A	B	B1	B2	B3	D	D1	H	L	L1	R	Permissible load kg
K1763.100401	Fixed castor	without locking system	ball bearing	-	40	60	-	85	100	9	140	100	80	-	180
K1763.125501	Fixed castor	without locking system	ball bearing	-	50	80	75	110	125	11	170	140	105	-	280

Swivel and fixed castors heavy-duty version

Overview of items

Order No.	Item	Version 1	Wheel bearing	A	B	B1	B2	B3	D	D1	H	L	L1	R	Permissible load kg
K1763.160501	Fixed castor	without locking system	ball bearing	-	50	80	75	110	160	11	202	140	105	-	400
K1763.200501	Fixed castor	without locking system	ball bearing	-	50	80	75	110	200	11	245	140	105	-	500
K1763.250601	Fixed castor	without locking system	ball bearing	-	60	80	75	110	250	11	295	140	105	-	700
K1763.10040	Swivel castor	without locking system	ball bearing	45	40	60	-	85	100	9	140	100	80	95	180
K1763.12550	Swivel castor	without locking system	ball bearing	55	50	80	75	110	125	11	170	140	105	117,5	280
K1763.16050	Swivel castor	without locking system	ball bearing	65	50	80	75	110	160	11	202	140	105	145	400
K1763.20050	Swivel castor	without locking system	ball bearing	70	50	80	75	110	200	11	245	140	105	170	500
K1763.25060	Swivel castor	without locking system	ball bearing	82	60	80	75	110	250	11	295	140	105	207	700
K1763.100402	Swivel castor	with stop-top locking system	ball bearing	45	40	60	-	85	100	9	140	100	80	95	180
K1763.125502	Swivel castor	with stop-top locking system	ball bearing	55	50	80	75	110	125	11	170	140	105	117,5	280
K1763.160502	Swivel castor	with stop-top locking system	ball bearing	65	50	80	75	110	160	11	202	140	105	145	400
K1763.200502	Swivel castor	with stop-top locking system	ball bearing	70	50	80	75	110	200	11	245	140	105	170	500
K1763.250602	Swivel castor	with stop-top locking system	ball bearing	82	60	80	75	110	250	11	295	140	105	207	700