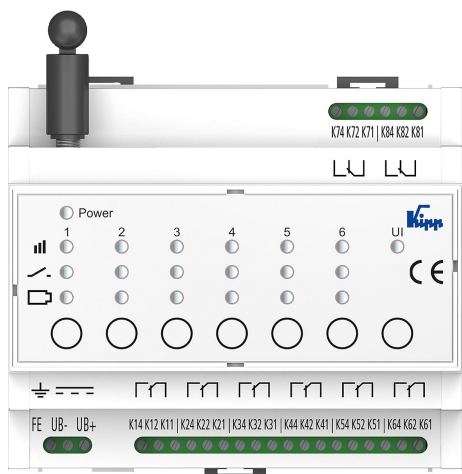


## Gateway

### Item description/product images



### Description

#### Product description:

The gateway forms the interface between the indexing plunger with status sensor and the machine control. It receives the wireless signal from the indexing plunger and supplies a binary output signal that can be read by the machine control. The operating statuses of up to 6 indexing plungers can be transmitted in this way. A mobile terminal can be linked to the gateway for additional visualisation.

The integrated control panel with buttons and LEDs can be used to connect/disconnect the indexing plungers, and also monitor the wireless link, the actuation status, and the level of battery charge.

#### Material:

Housing polycarbonate.

#### Version:

Housing top part light grey.

Housing lower part anthracite grey.

#### Note:

The gateway receives the wireless signal from the indexing plunger with status sensor and converts it into a standard output signal.

When connected to a machine controller, the activation state of up to 6 indexing plungers can be processed. The number of indexing plungers can be increased at will by using additional Gateways.

#### Technical data:

See technical information.

#### Application:

The gateway is used to integrate indexing plungers with status sensors into machines and systems. With the link between gateway and machine control, the actuation statuses of the indexing plungers can be displayed, checked, and used for process control.

#### Advantages:

Actuation-dependent process control.

Universal output signal.

Simple installation.

#### On request:

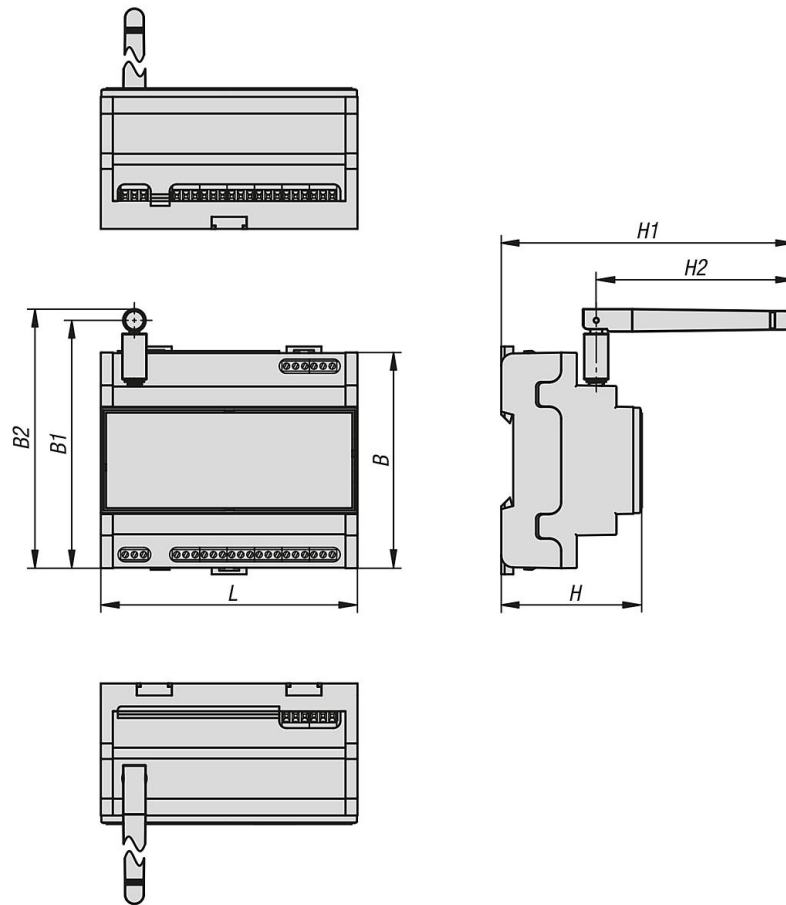
Further output signals, interfaces

#### Accessory:

Indexing plunger with status sensor K1495

## Gateway

### Drawings



### Overview of items

#### Gateway for indexing plunger with status sensor

Order No.	Output signal	B	B1	B2	H	H1	H2	L
K1494.01	Relais	90	103,4	108	58,5	122	82,5	107