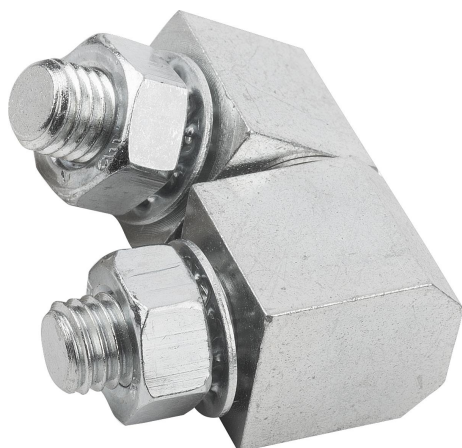


Block hinges with fastening nuts, Form B

Item description/product images



Description

Material:

Steel.
Stainless steel 1.4305.

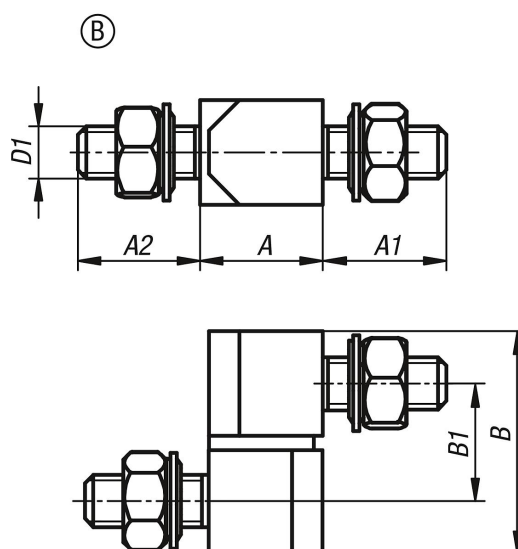
Version:

Steel electro zinc-plated.
Stainless steel bright.

Note:

Block hinges with fastening nuts for overlapping or inset doors.
Mounted with nuts (M6 or M8) from inside. The 3-part versions are not detachable.
The hinge can be used left or right. The opening angle is 180°. Supplied unassembled.
Fastening nuts and washers are supplied.

Drawings



Overview of items

Order No.	Form	Main material	Steel code	A	A1	A2	B	B1	D1
K1142.10610135	B	steel	-	13	10	10	25,3	13,5	M6
K1142.10814165	B	steel	-	18	14	14	32,4	16,5	M8
K1142.110610135	B	stainless steel	1.4305	13	10	10	25,3	13,5	M6
K1142.110814165	B	stainless steel	1.4305	18	14	14	32,4	16,5	M8