

Toggle clamp mini, horizontal with horizontal foot right and adjustable clamping spindle

Item description/product images



Description

Material:

Steel.

Version:

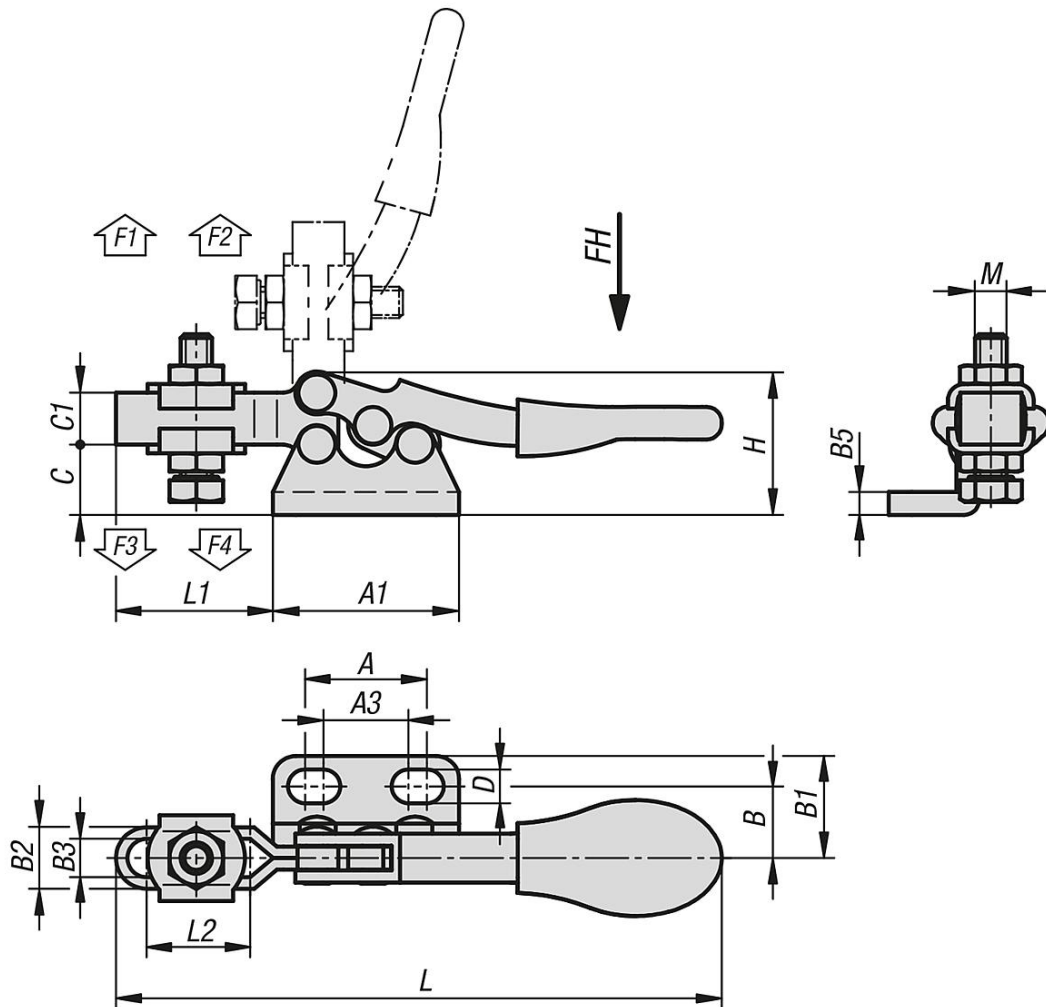
Electro zinc-plated steel.

Plastic handle, oil-resistant.



Toggle clamp mini, horizontal with horizontal foot right and adjustable clamping spindle

Drawings



Overview of items

Toggle clamp mini, horizontal with flat right foot and adjustable clamping spindle

Order No.	Opening angle of holding arm		Opening angle of handle		Hand force FH N	Retaining force F1 N	Retaining force F2 N	Clamping force F3 N	Clamping force F4 N
K1544.0250	90°		75°		80	250	500	150	350

Order No.	A	A1	A3	B	B1	B2	B3	B5	C	C1	D	H	L	L1	L2	M
K1544.0250	15,9	24,3	11,1	8	13,3	9,4	5	3	9,2	6,8	4,4	18,7	79	20,5	13,5	M4x20