

Riser blocks, grey cast iron Form H, short version

Item description/product images



Description

Material:
GJL 300.

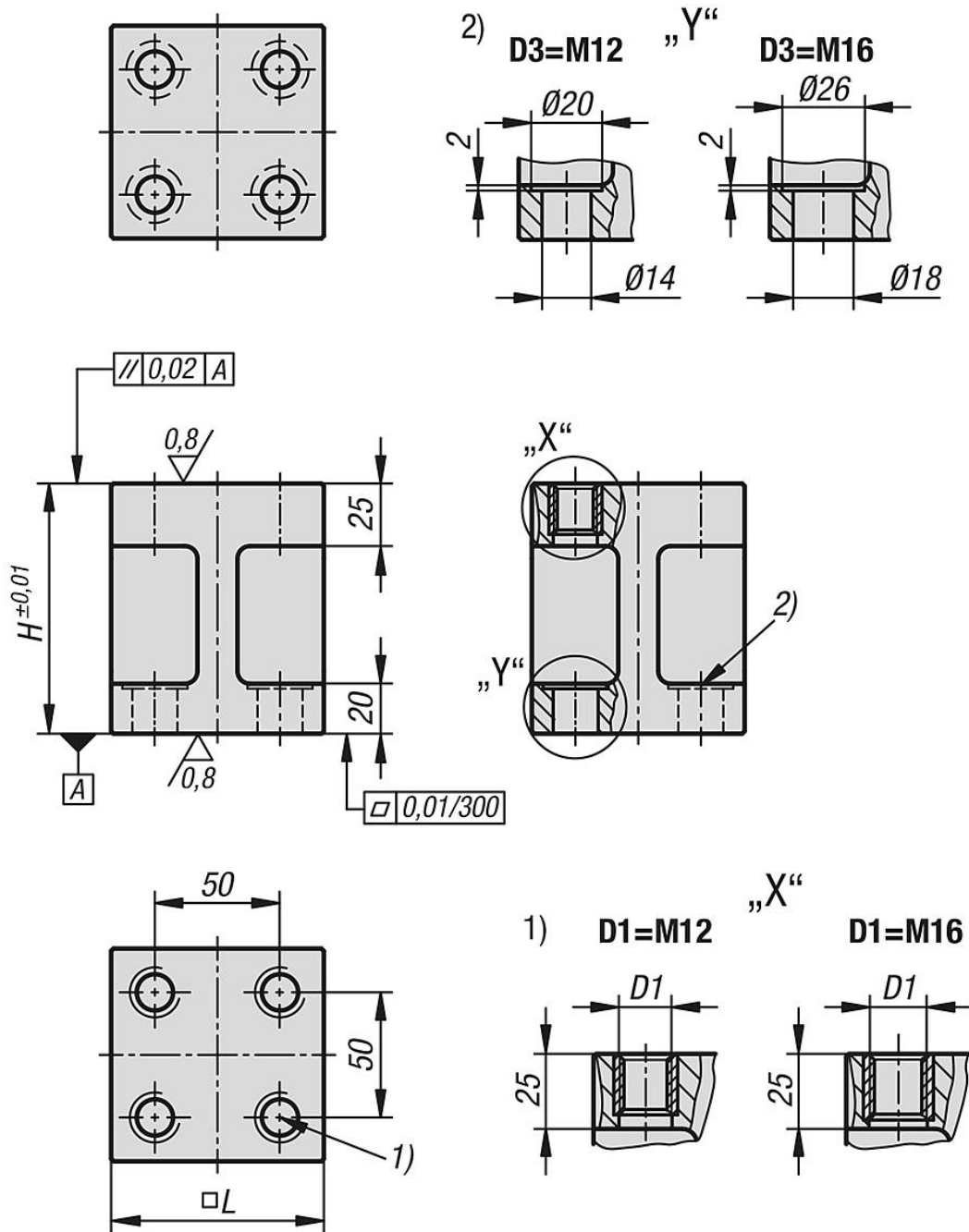
Version:
Support and mounting surfaces ground

Note:
Riser blocks are used for constructing modular fixtures. Several riser blocks can be mounted on each other. Support elements, clamping devices, and stops can then be mounted on the top riser block. Riser blocks are fastened using DIN 912 cap screws.

Drawing reference:
1) tapped hole
2) hole for DIN 912 cap screw

Riser blocks, grey cast iron Form H, short version

Drawings



Overview of items

Riser blocks, grey cast iron Form H, short version

| Order No. | D1 | D3 | H | L |
|-------------------|-----|-----|-----|----|
| K1536.21208585100 | M12 | M12 | 100 | 85 |
| K1536.21208585125 | M12 | M12 | 125 | 85 |
| K1536.21608585100 | M16 | M16 | 100 | 85 |
| K1536.21608585125 | M16 | M16 | 125 | 85 |

