

Torque wrench for 5-axis module clamping system

Item description/product images



Description

Material:

Steel.

Version:

Surface: hard chromed

Note:

Torque wrench 4-40 set:

Release precision +/- 2% of the scale value (in direction of actuation)

High-precision premium metrology instrument – for highest demands

Robust and tough hard chrome-plated steel construction in a slim model

Secure: - haptic (shortcut release)

- acoustic (buckling element)

User-friendly reversible ratchet.

Service-friendly (ratchet repair sets for customer-oriented self-assembly)

Integrated switch lever

Setting of the desired torque value fast and securely through turning of the handle

Twist knob for additional locking of the setting

Ergonomically shaped handle with collar reduces danger of slipping or injury

Exact, fine scale gradation

With serial number and calibration certificate

Hard chrome-plated surface

DIN EN ISO 6789-2:2017, square acc. to DIN 3120, ISO 1174-1

Details of plug-in reversible ratchet:

20 teeth, max. 40Nm

Output 6.3 = 1/4 inch

Square acc. to DIN 3120, ISO 1174-1

Drop forged

Chromed surface

Note for plug-in reversible ratchet:

Through fast insertion of the plug-in reversible ratchet into the torque wrench, the precision of 2% in both directions can be guaranteed.

Screwdriver bit:

Surface TiN

DIN 7422

Square 1/4 inch

Suitable for reversible ratchet

Recommendation:

Annual check interval for torque wrenches, in which the upper limit is 5,000 load cycles.

Supplied with:

Set comprising:

Torque wrench

Plug-in reversible ratchet

Screwdriver insert SW4

Screwdriver insert SW6

Screwdriver insert SW8

Torque wrench for 5-axis module clamping system

Item description/product images

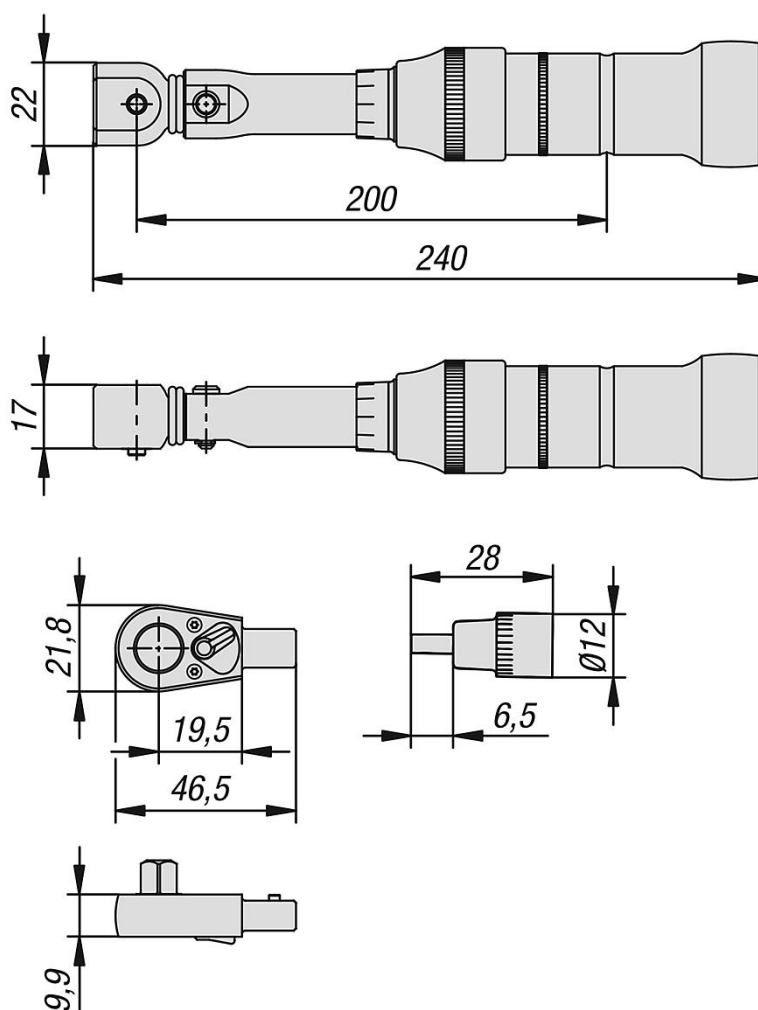
Suitable for:

5-axis module clamping system 80
5-axis module clamping system 50
5-axis module clamping system 138

Functional principle:

Operating principle of torque wrench handles
To unlock, pull handle back approximately 8 mm.
Continue to turn handle up to the desired torque.
Then turn the handle back a bit to lock it.

Drawings



Overview of items

Torque wrench for 5-axis module clamping system

Order No.	Item	Version 1	Product type	Torque Nm
K1488.01	Torque Wrench	set	revolving grip	4 - 40

