

Locating bushes for pneumatic locating cylinder

Item description/product images



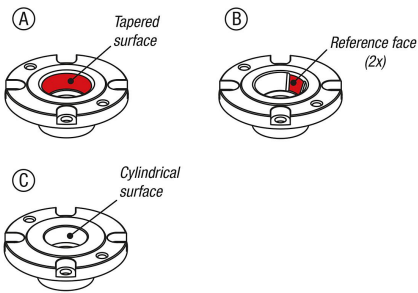
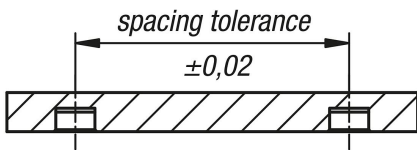
Description

Material:
Carbon steel.

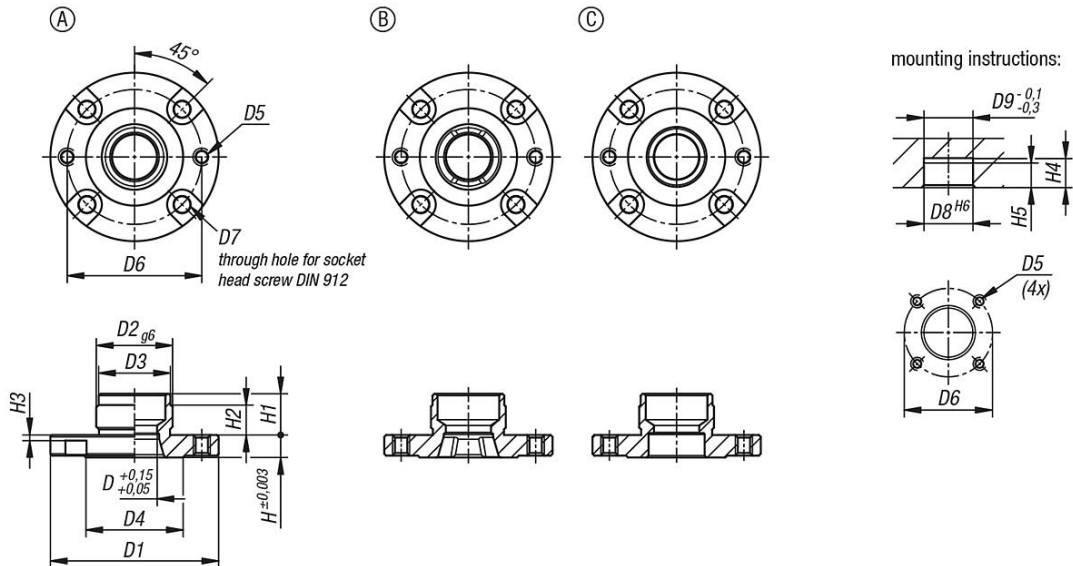
Version:
Housing hardened and black oxidised.
Contact faces ground.

Note:
Locating bushes are placed in a fixture or interchangeable subplate and form the counterpart to the locating cylinder.
The locating bushes are centred in a reamed hole and then fastened with 4 screws.
The balls of the locating cylinder engage in the groove in the locating bush, thereby forming a fast, secure and highly accurate changeover unit, and reducing setup and changeover times.

Attention:
Please observe installation notes of the locating bushes.



Drawings



Overview of items

Locating bushes for pneumatic locating cylinder

| Order No. | Form | D | D1 | D2 | D3 | D4 | D5 | D6 | D7 | D8 | D9 | H | H1 | H2 | H3 | H4 | H5 |
|-------------|------|----|----|----|------|----|----|----|----|----|----|---|----|----|-----|----|----|
| K1487.11660 | A | 16 | 60 | 28 | 27,5 | 38 | M5 | 50 | M5 | 28 | 28 | 8 | 15 | 10 | 2,5 | 16 | 12 |

Locating bushes for pneumatic locating cylinder

Overview of items

| Order No. | Form | D | D1 | D2 | D3 | D4 | D5 | D6 | D7 | D8 | D9 | H | H1 | H2 | H3 | H4 | H5 |
|-------------|------|----|----|----|------|----|----|----|----|----|----|----|----|----|-----|----|----|
| K1487.21660 | B | 16 | 60 | 28 | 27,5 | 38 | M5 | 50 | M5 | 28 | 28 | 8 | 15 | 10 | 2,5 | 16 | 12 |
| K1487.31660 | C | 16 | 60 | 28 | 27,5 | 38 | M5 | 50 | M5 | 28 | 28 | 8 | 15 | 10 | 2,5 | 16 | 12 |
| K1487.12075 | A | 20 | 75 | 36 | 35,5 | 48 | M6 | 62 | M6 | 36 | 36 | 10 | 19 | 14 | 3,5 | 20 | 16 |
| K1487.22075 | B | 20 | 75 | 36 | 35,5 | 48 | M6 | 62 | M6 | 36 | 36 | 10 | 19 | 14 | 3,5 | 20 | 16 |
| K1487.32075 | C | 20 | 75 | 36 | 35,5 | 48 | M6 | 62 | M6 | 36 | 36 | 10 | 19 | 14 | 3,5 | 20 | 16 |