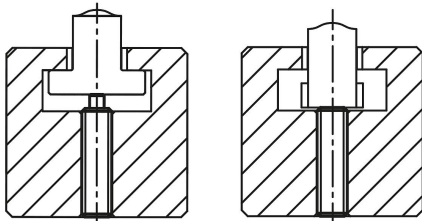


Spring plungers with hexagon socket and flattened thrust pin, stainless steel

Item description/product images



Description

Material:

Sleeve 1.4305.
Thrust pin 1.4034.
Spring 1.4310.

Version:

Bright.
Thrust pin hardened.

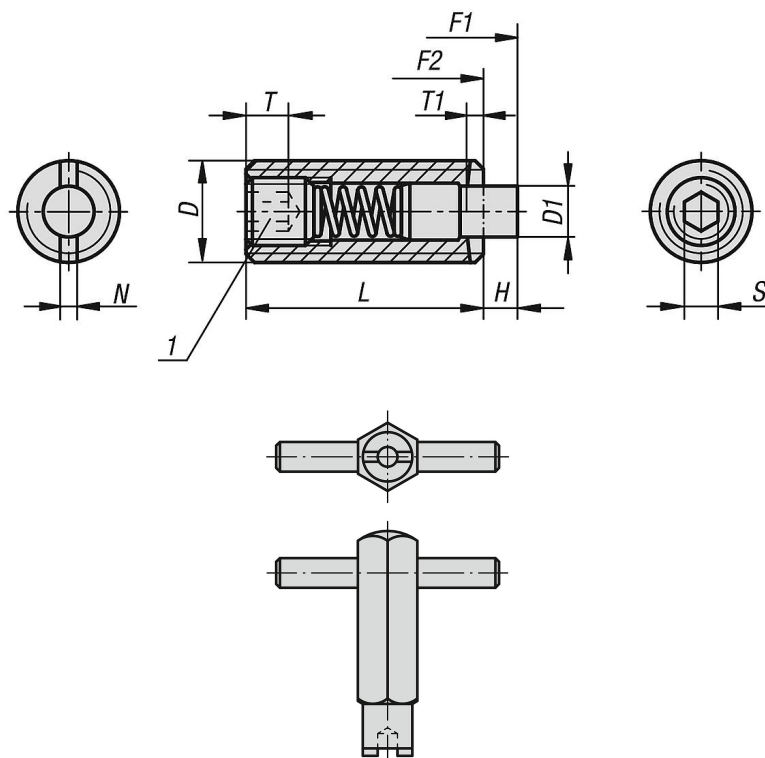
Note:

These spring plungers are chiefly used as ejectors and spring stops in machine construction.
The thrust pin is actuated in the axial direction.

Drawing reference:

1) grub screw glued in

Drawings



Overview of items

Spring plungers with hexagon socket and flattened thrust pin, stainless steel

Overview of items

Spring plungers with hexagon socket and flattened thrust pin, standard spring force

Order No.	D	D1	H	L	T1	N	S	Spring force initial pressure F1 approx. N	Spring force final pressure F2 approx. N	Order No. Assembly key
K1379.05	M5	2,4	2,3	18	0,8	0,8	1,5	5	17	K0317.905
K1379.06	M6	2,7	2,5	20	1	1	2	6	17	K0317.906
K1379.08	M8	3,5	3	22	1,4	1,2	2,5	7	29	K0317.908
K1379.10	M10	4	3	22	1,4	1,6	3	8	31	K0317.910
K1379.12	M12	6	4	28	2	2	4	10	47	K0317.912
K1379.16	M16	7,5	5	32	2,5	2,5	5	38	85	K0317.916