

Angle plates with or without T-slots cast iron

Item description/product images

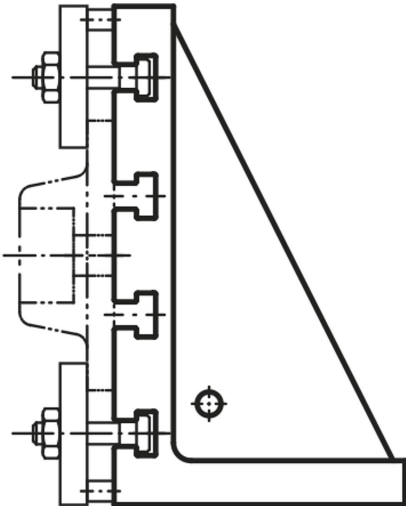


Description

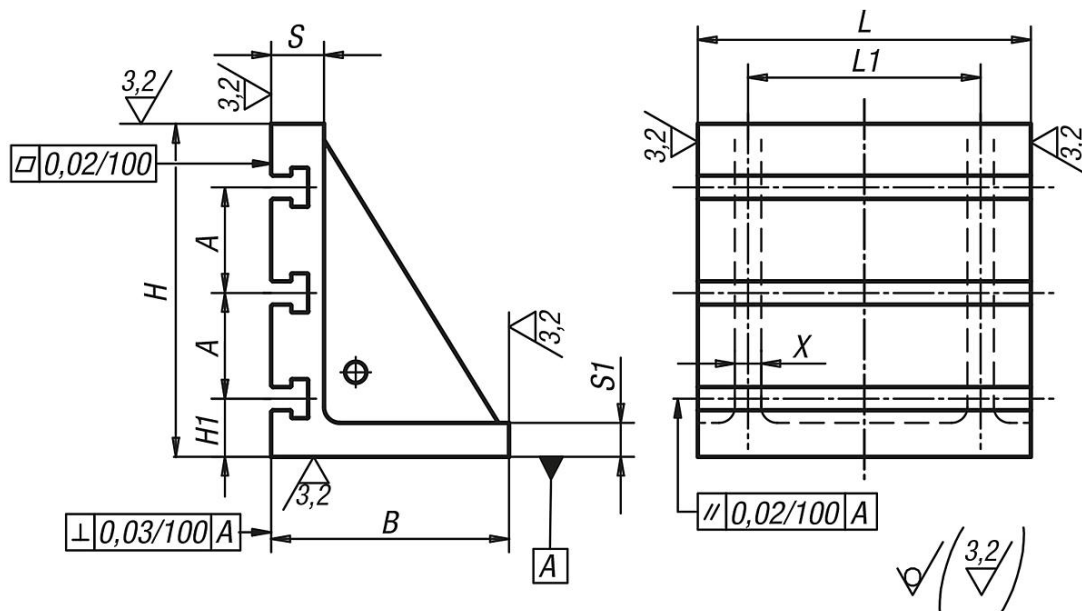
Material:
GJL 250 annealed.

On request:
Other slot widths.

Drawing reference:
machined faces: +0.2 mm/ +0.5 mm
unmachined faces: ±2 mm



Drawings



Overview of items

Angle plates with or without T-slots cast iron

Angle plates with or without T-slots cast iron

Overview of items

Order No.	Version 1	L	L1	B	H	H1	S	S1	A	X	T-slot
K1451.100125	without slot	100	40	100	125	-	20	10	-	10	-
K1451.125160	without slot	125	100	100	160	-	20	10	-	10	-
K1451.200250	without slot	200	120	125	250	-	30	15	-	15	-
K1451.250300	without slot	250	200	150	300	-	40	20	-	20	-
K1451.320370	without slot	320	280	200	370	-	50	25	-	25	-
K1451.400450	without slot	400	280	265	450	-	60	30	-	30	-
K1451.500550	without slot	500	360	315	550	-	70	35	-	35	-
K1451.3203701	with t-slot	320	280	200	370	65	50	25	80	25	14
K1451.4004501	with t-slot	400	280	265	450	75	60	30	100	30	18
K1451.5005501	with t-slot	500	360	315	550	75	70	35	100	35	18