

## Toggle clamps horizontal with straight foot and full holding arm

### Item description/product images



### Description

**Material:**  
Steel.

**Version:**  
Electro zinc-plated steel.  
Plastic handle, oil-resistant.

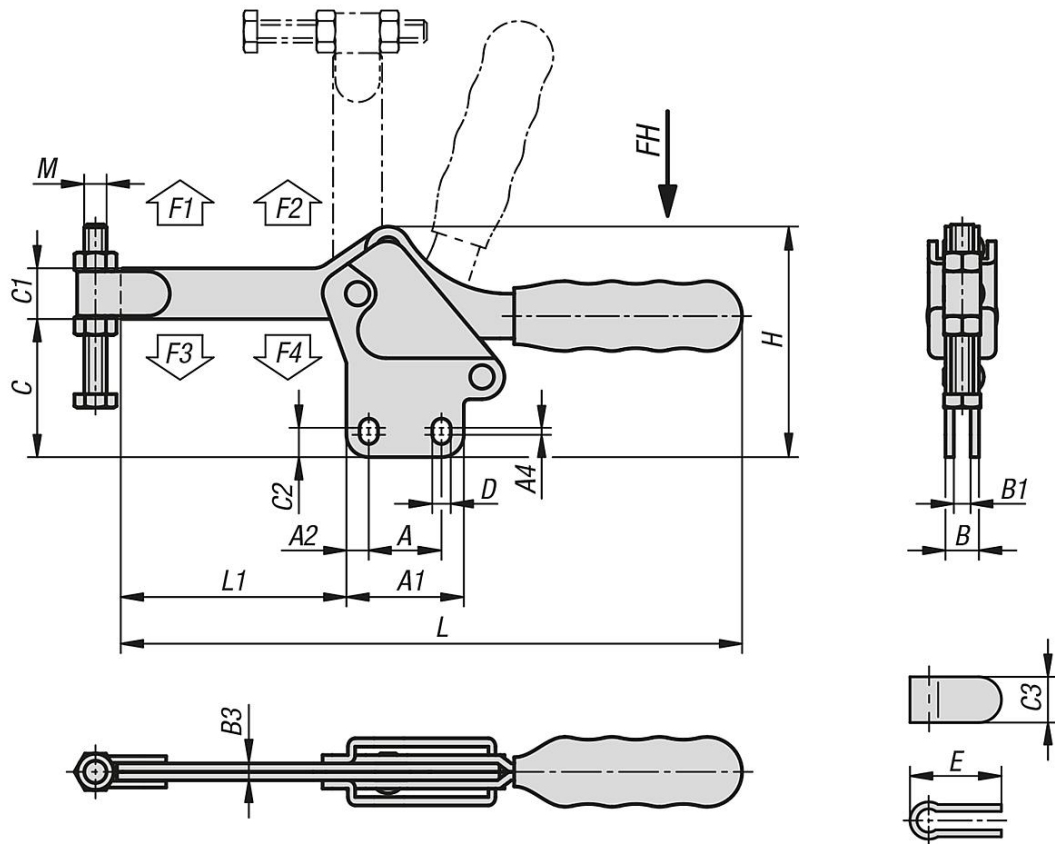
**Note:**  
spindle bracket weldable.

**Accessory:**

K0688  
K0689  
K0690  
K0101  
K1442  
K0102  
K0103  
K1443  
K0104  
K0106

## Toggle clamps horizontal with straight foot and full holding arm

### Drawings



### Overview of items

#### Toggle clamps horizontal with straight foot and full holding arm

Order No.	Opening angle of holding arm	Opening angle of handle	Hand force FH N	Retaining force F1 N	Retaining force F2 N	Clamping force F3 N	Clamping force F4 N
K1433.03400	90°	72°	200	1400	3400	800	1900
K1433.05400	94°	76°	250	2400	5400	1100	3000

Order No.	A	A1	A2	A4	B	B1	B3	C	C1	C2	C3	D	E	H	L	L1	M
K1433.03400	26	42	8	2,5	12	6	6	49,7	17,5	10,5	16	6,6	31	82,5	224	82	M8x60
K1433.05400	41,2	59	9	2	16	8	8	63,8	23	10	20	8,7	40	109	280	111	M10x80