

## Toggle clamps vertical with straight foot and fixed clamping spindle

Item description/product images

### Description

**Material:**

Steel.

**Version:**

Electro zinc-plated steel.  
Plastic handle, oil-resistant.

**Note:**

A neoprene thrust pad is supplied with version K1244.00800.

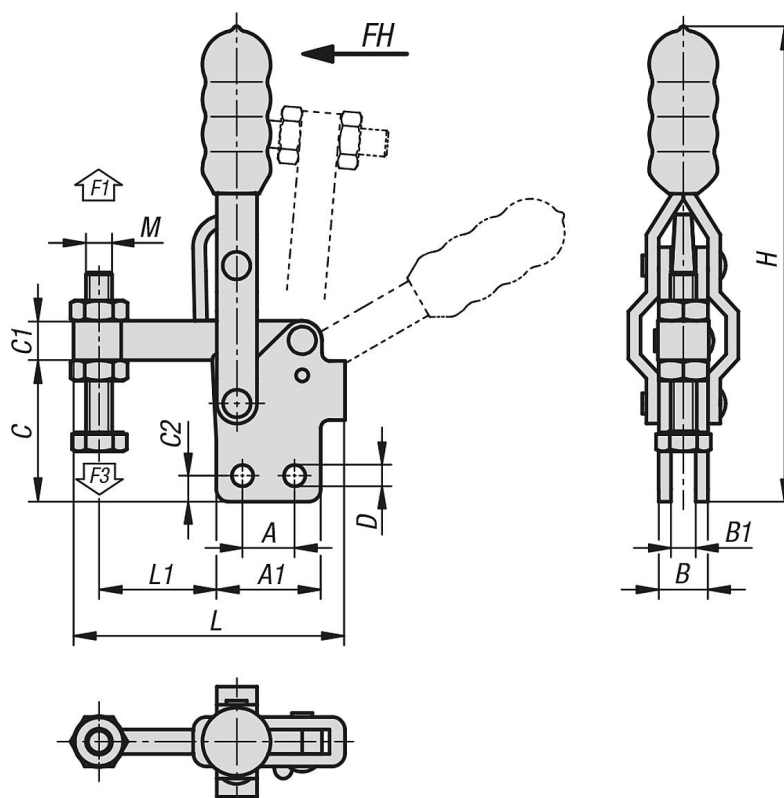
**Accessory:**

K0688  
K0689  
K0690  
K0101  
K1442  
K0102  
K0103  
K1443  
K0104  
K0106



## Toggle clamps vertical with straight foot and fixed clamping spindle

### Drawings



### Overview of items

#### Toggle clamps vertical with straight foot and fixed clamping spindle

Order No.	Opening angle of holding arm	Opening angle of handle	Hand force FH N	Retaining force F1 N	Clamping force F3 N
K1244.00800	95°	60°	100	800	600
K1244.02400	90°	70°	150	2400	1200
K1244.03400	90°	70°	200	3400	1600
K1244.04400	90°	70°	250	4400	1600
K1244.05400	100°	50°	280	5400	1800

Order No.	A	A1	B	B1	C	C1	C2	D	H	L	L1	M
K1244.00800	12,7	25,4	12	6	34,5	9,6	6,4	5,2	116	65,8	28,6	M6x44
K1244.02400	19	35	12	6	48	17,5	7,5	7,1	194	87,7	40	M8x50
K1244.03400	32	50	16	8	64	22	9,5	8,3	240	124,25	65	M10x80
K1244.04400	32	53	20	10	70,4	25	9,5	8,7	245	138,25	74	M12x100
K1244.05400	50,8	76,2	20	10	113,5	31,8	12,7	12,3	335	197,5	107,8	M16x150