

Ball knobs thermoplastic DIN 319 enhanced, Form M, with tapered bore

Item description/product images



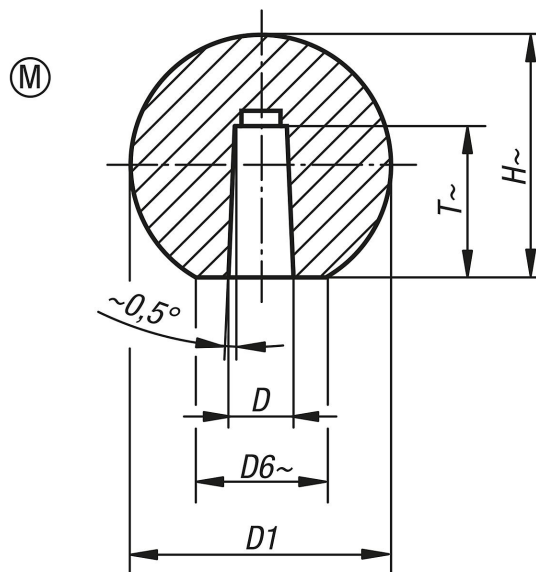
Description

Material:
Thermoplastic.

Version:
Black.

On request:
Other colours.

Drawings



Overview of items

Order No.	Form	D	D1	D6	H	T
K0158.32005	M	5	20	12	18	12
K0158.32506	M	6	25	15	22,5	15
K0158.32508	M	8	25	15	22,5	15
K0158.33208	M	8	32	18	29	15
K0158.33210	M	10	32	18	29	15
K0158.34010	M	10	40	22	37	20
K0158.34012	M	12	40	22	37	20