

# Tube clamps, cross, aluminium, Form B

## Item description/product images

METRIC  
Parts

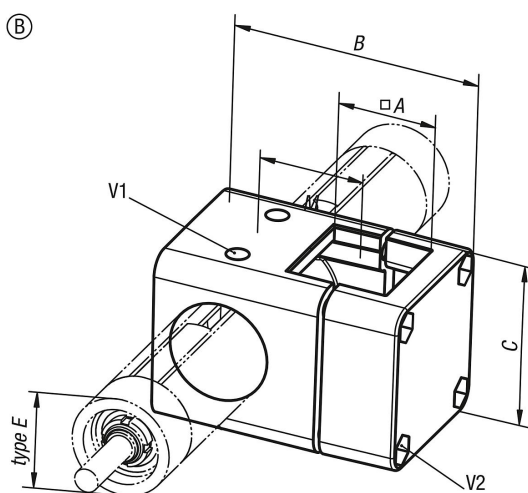


### Description

**Material:**  
Cast aluminium.  
Screws and nuts steel.

**On request:**  
Clamping levers for tightening.

## Drawings



## Overview of items

Order No.	Form	Type E	A	B	C	M	V1	V2
K0497.5050	B	50	50	126	86	53	M8x50	M8x50