

Spring hinges, steel, stainless steel or aluminium, 120 mm, spring closed

Item description/product images



Description

Material:

Steel, 1.4301 stainless steel or 5754 aluminium.
Tension spring steel or stainless steel.

Version:

Steel bright or electro zinc-plated
Stainless steel and aluminium, bright.
Tension spring Zn/Al alloy.

Note:

Butt type hinges.
Opening angle 270°.

Spring torque:

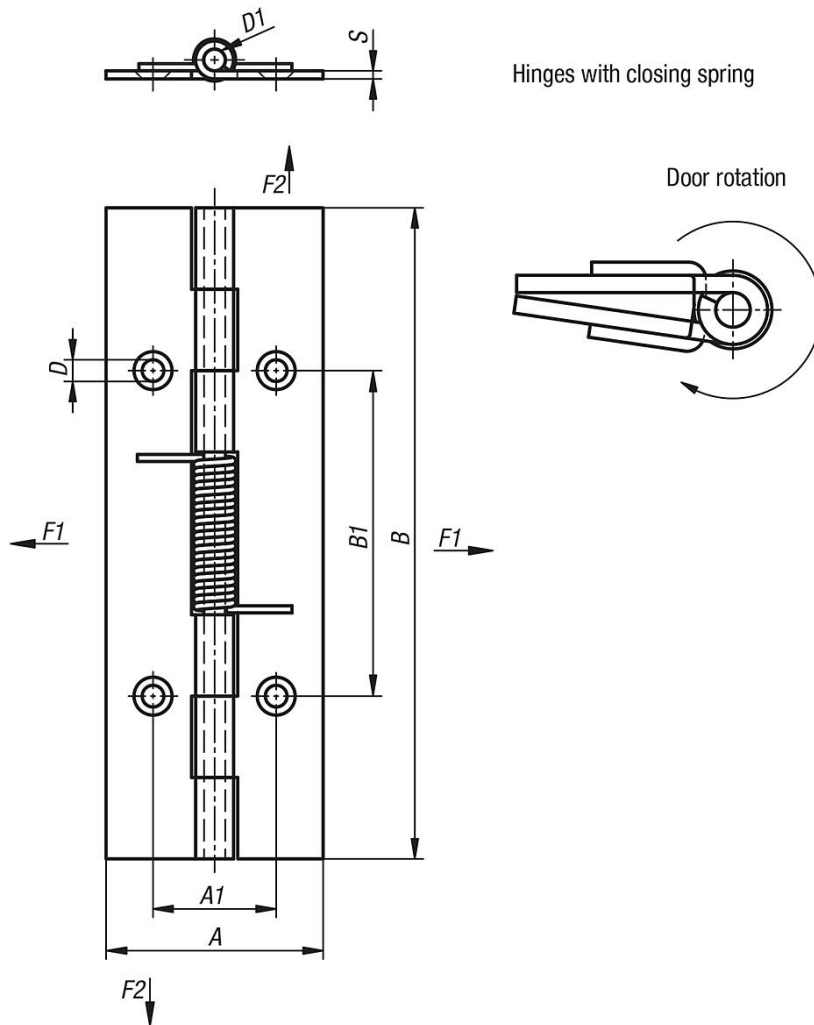
M(0°): 0.28 Nm / M(90°): 0.56 Nm / M(180°): 0.85 Nm

By the aluminium hinges, the tension springs are steel alloyed with Zn/Al.

Form A: without holes

Form B: with holes

Spring hinges, steel, stainless steel or aluminium, 120 mm, spring closed
Drawings



Overview of items

Order No.	Form	Version 1	Main material	A	A1	B	B1	D	D1	S
K1175.4012010	A	spring closed	steel	40	-	120	-	-	4	1,5
K1175.4012011	B	spring closed	steel	40	22,7	120	60	4	4	1,5
K1175.14012010	A	spring closed	stainless steel A2	40	-	120	-	-	4	1,5
K1175.14012011	B	spring closed	stainless steel A2	40	22,7	120	60	4	4	1,5
K1175.24012010	A	spring closed	aluminium	40	-	120	-	-	4	1,5
K1175.24012011	B	spring closed	aluminium	40	22,7	120	60	4	4	1,5