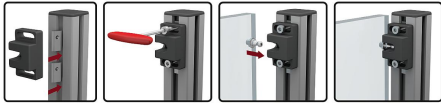
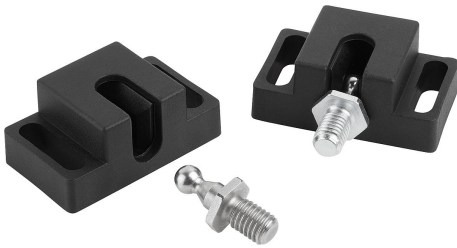


## Ball catch

### Item description/product images



### Description

#### Material:

Fibreglass reinforced polyamide.  
Ball pins, steel or stainless steel 1.4301.

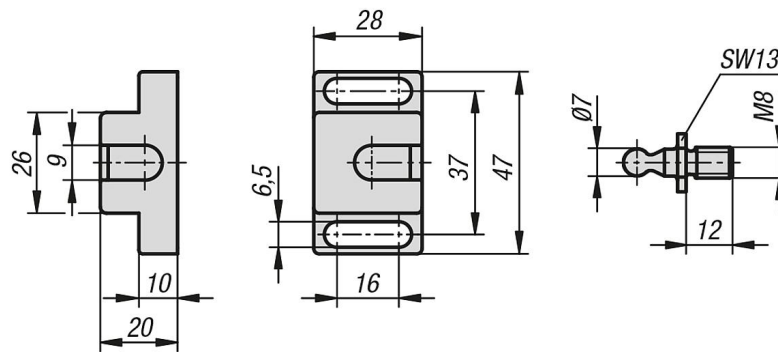
#### Version:

Black.

#### Note:

Quick lock for swing and sliding doors. The elongated holes enable flexible positioning on aluminium profiles and panel elements.

### Drawings



### Overview of items

#### Ball catch

Order No.	Component material	Main colour	Retaining force F1 N
K1294.400	steel	black	40
K1294.401	stainless steel	black	40
K1294.500	steel	black	50
K1294.501	stainless steel	black	50